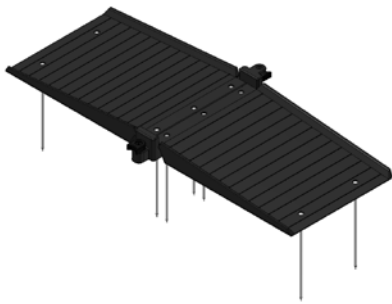
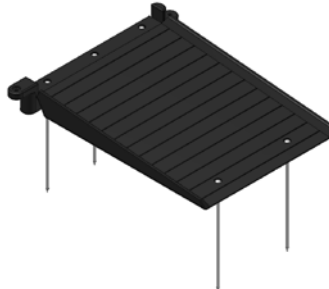


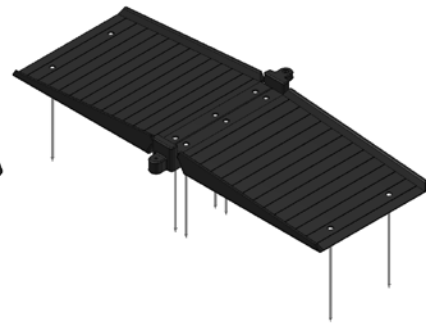
## ADA Access Ramp Assembly Instructions:



**ADA-00002**



**ADA-00005**



**ADA-00008**

- Please read and follow all **Safety Information**.
- Please review assembly and component **Diagrams**.
- Verify **component & hardware** quantities received.
- Familiarize yourself with the **installation procedures**.

### **Safety**

- Play site ground material should only be of an approved, shock-absorbing type and meet minimum depth requirements. **NEVER** install playground equipment over paved or hard surfaces.
- Be sure that minimum fall zone requirements are met.
- Do not allow children to play on or near equipment which is in need or repair or replacement, is incomplete or is otherwise considered unsafe.

### **Parts Inventory and Set-Up**

Confirm that all components, hardware and special tools are included (see *Parts List*). Gather any addition tools necessary for installation (hex driver, level, tape measure, etc) Please follow diagrams and instructions in order.

#### 1) **Site location and Preparation**

Be sure site is of adequate size- allow for minimum fall zones (see *Layout Diagram*). Be sure site is graded, level and free of debris for proper set-up and assembly.. Measure and mark site to determine location and orientation.

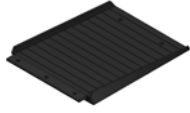



#### 2) **Assembly- General**

Please use correct type and length pins as shown in the installation procedure. Before setting Play Structure modules in place, verify all hardware has been tightened. Be sure to follow the assembly order to ease the construction procedure.

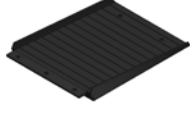




**PARTS LIST**

**Components:**

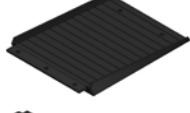

**ADA-00002**

<b>Item</b>	<b>Qty.</b>	<b>Part No.</b>	<b>Description</b>	<b>Drawing</b>
SA	(2)	200-00005	1/2 ADA Ramp	
SB	(1)	200-00004	Mounting Log	
SC	(10)	200-00010	18" Spike	
SD	(1)	200-00001	30" Spike	

**ADA-00005**

<b>Item</b>	<b>Qty.</b>	<b>Part No.</b>	<b>Description</b>	<b>Drawing</b>
SA	(1)	200-00005	1/2 ADA Ramp	
SB	(1)	200-00003	Mounting Log	
SC	(5)	200-00010	18" Spike	
SD	(1)	200-00001	28" Spike	
SE	(1)	200-00014	2" End Filler	

**ADA-00008**

<b>Item</b>	<b>Qty.</b>	<b>Part No.</b>	<b>Description</b>	<b>Drawing</b>
SA	(2)	200-00005	1/2 ADA Ramp	
SB	(1)	200-00008	Mounting Log	

SC (10) 200-00010 18" Spike

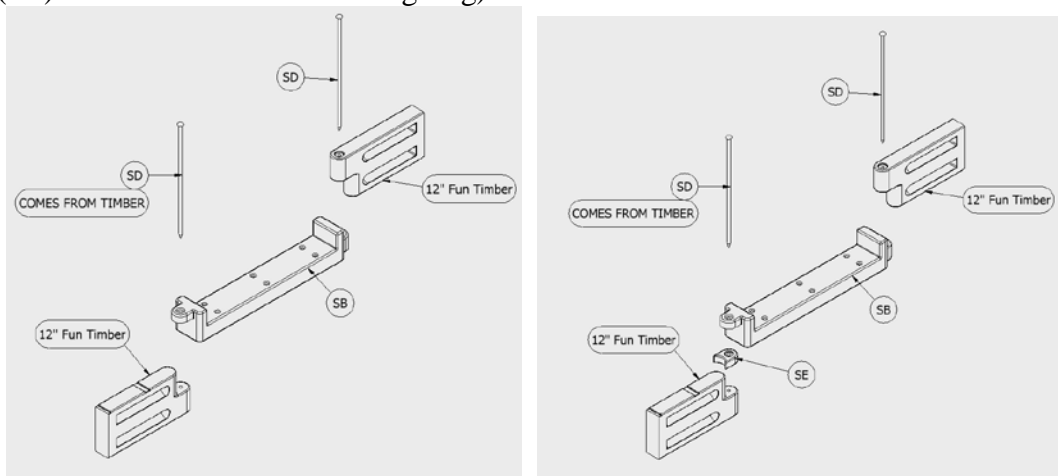


SD (1) 200-00001 30" Spike

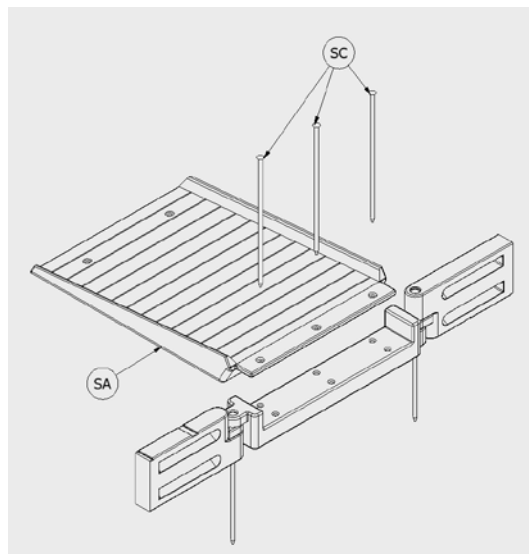


**Installation procedure:**

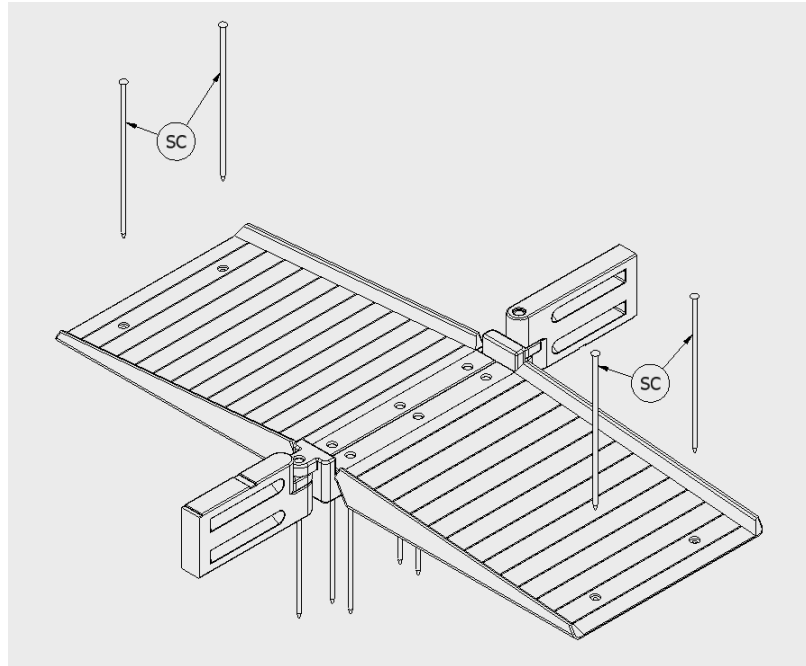
- 1) Place Mounting Log (SB) in proper place between (2) Fun Timbers and apply (2) 28" Spikes (SD) ((1) 28" Spikes (SD) already exists with Fun Timber) into the ground. (Note: If using 12" Fun Timbers with Flush Mount Ramp (ADA-00005) a 2" End Filler (SE) on the side of the Mounting Log)



- 2) Place 1/2 ADA Ramp (SA) onto the Mounting Log (SB) aligning the three holes on the ramp to the appropriate three holes in the mounting log. Then apply (3) 18" Spikes (SC) into the ground. Repeat for other side of the mounting long. (Note: ADA-00005 only mounts once)



- 3) After ADA Ramps (SA) are mounted to the Mounting Log (SB) make sure that the ramps are laying level and then apply (2) 18" Spikes (SC) into the ground for each ramp half.



REV	ECO	DATE	BY	APRV