



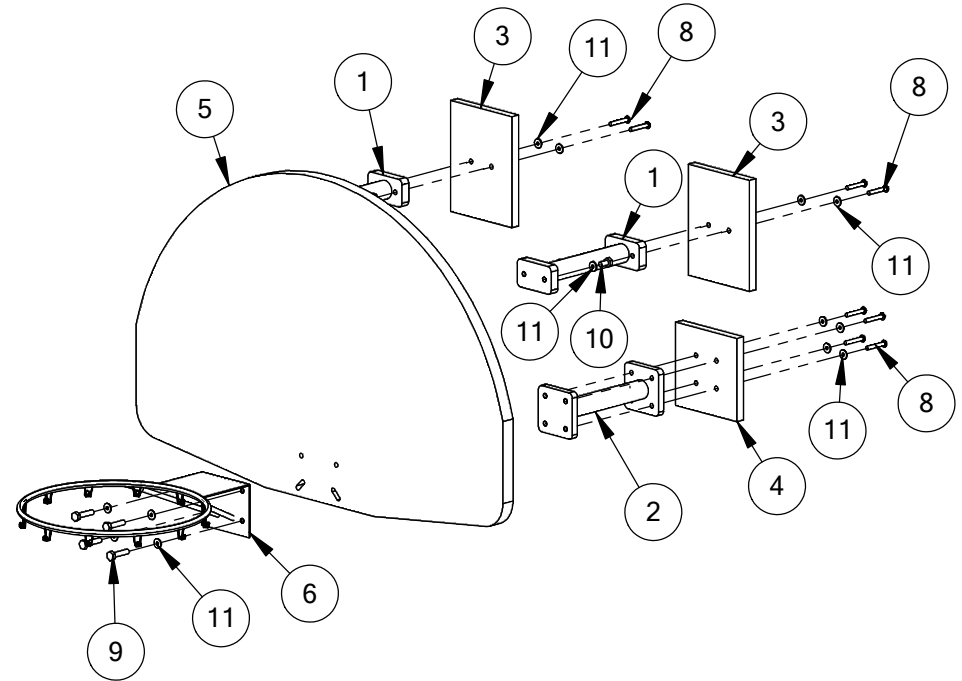
# WALL MOUNTED BASKETBALL BACKSTOP 1' OVERHANG

531-601

ITEM NO.	PART NUMBER	DESCRIPTION	QTY.
1	533-231	Support	2
2	533-242	Support	1
3	533-220	Mounting Board	2
4	533-228	Mounting Board	1
5	543-008	Aluminum Backboard	1
6	533-217	Official Goal	1
7	545-902	Nylon Net	1
8	196-610	3/8" x 2-1/2" Elevator Bolts	8
9	116-606	3/8" x 1-1/2" Hex Bolts	4
10	116-604	3/8" x 1" Hex Bolts	4
11	316-601	3/8" Flat Washers	16
12	216-601	3/8" Hex Nuts	12

### IMPORTANT

PLEASE READ THESE INSTRUCTIONS BEFORE COMMENCING ASSEMBLY. All equipment must be installed in accordance with these instructions. Check your shipment against Bill of Lading and Parts List. Any missing or broken parts must be reported to your distributor within 10 days of receipt of your order. When properly installed and maintained, equipment will give many years of Safe, Trouble-Free use. Periodically check for loose or broken parts. Loose bolts must be tightened and broken parts must be replaced as they can possible create dangerous situations leading to unnecessary accidents.





# WALL MOUNTED BASKETBALL BACKSTOP 1' OVERHANG

531-601

## TOOLS REQUIRED FOR INSTALLATION:

- |                  |                       |
|------------------|-----------------------|
| 1 Tape Measure   | 1 Level               |
| 1 Crecent Wrench | 1 9/16" Socket Wrench |

- 4 - 3/8" x 1-1/2" Hex Bolts
- 4 - 3/8" Flat Washers
- 4 - 3/8" Hex Nuts

NOTE: The official height of a goal and net is 10 feet from the floor to top of rim.

## ASSEMBLY AND INSTALLATION:

NOTE: All threaded ends of bolts protruding beyond nuts must be cut off and/or peened to eliminate sharp edges. No more than two threads should extend beyond face of nut.  
All washers, "T" nuts, and other fastener hardware used on round pipe or tubing must be hammered down to conform to the curved underlying surface to eliminate catch points.

Step:#1: Attach 533-231 Supports to 533-220 Mounting Boards & 533-242 Support to 533-228 Mounting Boards using:

- 8 - 3/8" x 2-1/2" Elevator Bolts
- 8 - 3/8" Flat Washers
- 8 - 3/8" Hex Nuts

Step #2: Attach Mounting Boards to wall.

NOTE: Because of varied mounting surfaces (brick, siding etc.) fasteners to secure mounting boards to wall are NOT provided.

Step #3: Attach 533-008 Aluminum Backboard to 533-231 Supports using:

- 4 - 3/8" x 1" Hex Bolts
- 4 - 3/8" Flat Washers

Step #4: Attach 533-217 Goal and Net to 543-008 Aluminum Backboard and 533-242 Support using: