



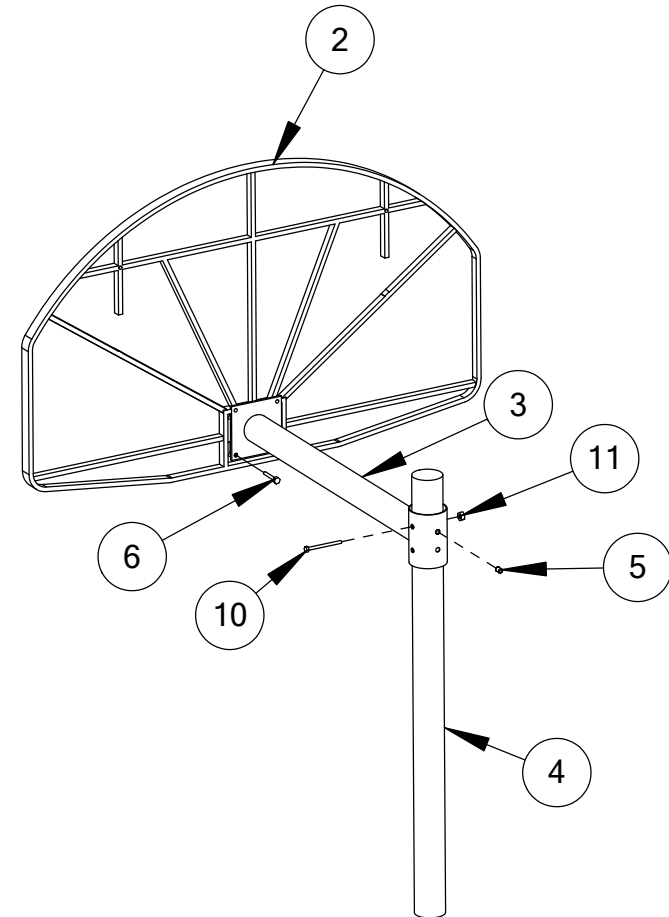
ADJUSTABLE BASKETBALL BACKSTOP

541-657

ITEM NO.	PART NUMBER	DESCRIPTION	QTY.
1	545-917	Official Goal & Net	1
2	543-002	Aluminum Backboard	1
3	543-555	Adjustable Bracket	1
4	543-614	Post 13'-8"	1
5	196-803	1/2" x 3/4" Socket Set Screw	2
6	116-606	3/8" x 1-1/2" Hex Bolt	4
7	316-601	3/8" Flat Washer	4
8	216-601	3/8" Hex Nut	4
9	416-400	1/4" Socket Key	1
10	116-622	3/8" x 5-1/2" Hex Bolt	1
11	226-601	3/8" Lock Nut	1
12	236-604	3/8" Round T-Nut	4

IMPORTANT

Please read these instructions before commencing Assembly. All equipment must be installed in accordance with these instructions. Check your shipment against Bill of Lading and Parts List. Any missing or broken parts must be reported to your distributor with 10 days of receipt of your order. When properly installed and maintained, equipment will give many years of Safe, Trouble-free use. Periodically check for loose or broken parts. Loose bolts must be tightened and broken parts must be replaced as they can possibly create dangerous situations leading to unnecessary accidents.



ASSEMBLY AND INSTALLTION:

NOTE: All threaded ends of bolts protruding beyond nuts must be cut off and/or peened to eliminate sharp edges. No more than two threads should extend beyond face of nut. All washers, T-Nuts, and other fastener hardware used on round pipe or tubing must be hammered down to conform to the curved underlying surface to eliminate catch points. Do NOT tighten nuts more than hand-tight until entire assembly is completed.

Step #1. Locate and dig footing hole for post.

Step #2. Attach 543-555 Adjustable bracket to end of 543-614 Post with (3) holes using:

- 2 - 1/2" x 3/4" Set Screws
- 1 - 3/8" x 5-1/2" Hex Bolt & Nut
- 1 - 1/4" Socket Key

Note: Align hole in post nearest to end with hole in Adjustable bracket and insert 3/8" x 5-1/2" hex bolt. Attach 3/8" lock nut and tighten. Then insert an tighten (2) 1/2" x 3/4" set screws into 543-555 bracket.

Step #3. Place 543-614 Post into footing hole. Plumb and level post. Make sure backboard will be proper height and facing in proper direction. It is critical to maintain the 9'-8" dimension from the underside of the adjustable bracket to the top of the playing surface.

Step #4. Mix and pour concrete into footing hole using: 12-80lb bags of Pre-Mix crown top for drainage.

Step #5. Attach 543-002 Aluminum Backboard to 543-555 adjustable Bracket using:

- 4 - 3/8" x 1-1/2" Hex Head tap bolt
- 4 - 3/8" Flat Washers
- 4 - 3/8" Round T Nut

Note: Insert bolts with washer attached from post side into T-Nut with threaded end inserted into backboard. Level backboard on post.

Step #6. Attach Goal to Backboard using:

- 4 - 3/8" x 1-1/2" Hex Bolts
- 4 - 3/8" Hex Nuts
- 4 - 3/8" Flat Washers

Note: Tighten goal to backboard to cross bar holding front hex nut and tightening on bolt end. This pulls the threaded round T-Nut tight to backboard.

Note: Wait 48 hours for concrete to harden before using unit. Do NOT install where overhead electrical wires are present. Be sure the distance between the top of the rim and the playing surface is 10'-0".

MAINTENANCE INSTRUCTIONS:

Check periodically for loose bolts, broken parts and replace immediately.