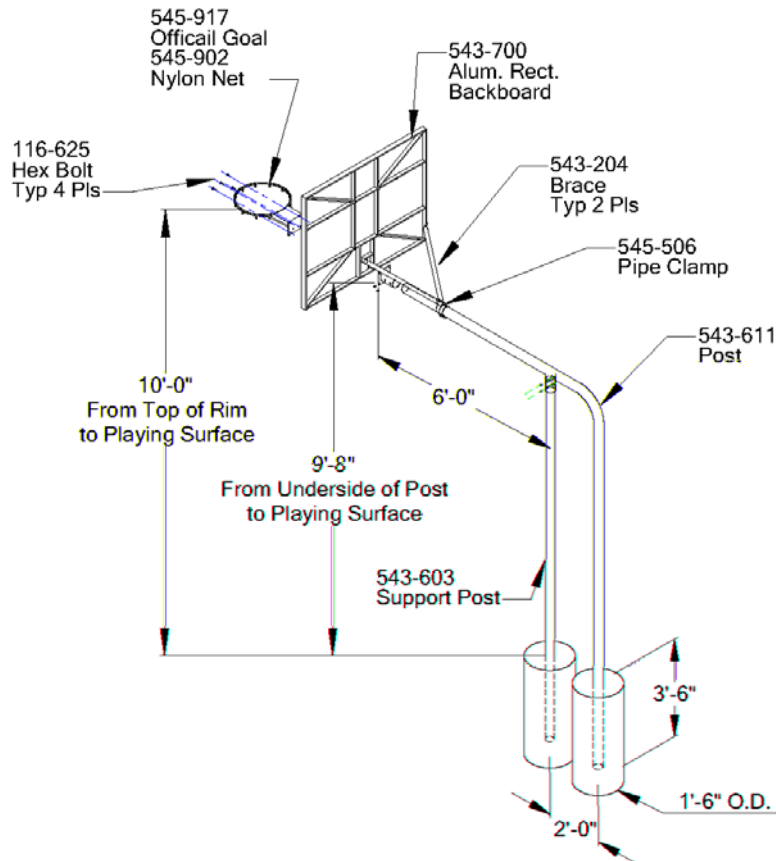


541-756 Tandem 6 3 1/2" OD Basketball Backstop Aluminum Rectangular Backboard

Page 1
Rev. 10/06/2004

IMPORTANT

PLEASE READ THESE INSTRUCTIONS BEFORE COMMENCING ASSEMBLY. All equipment must be installed in accordance with these instructions. Check your shipment against Bill of Lading and Parts list. Any missing or broken parts must be reported to your distributor within 10 days of receipt of your order. When properly installed and maintained, equipment will give many years of Safe, Trouble-Free use. Periodically check for loose or broken parts. Loose bolts must be tightened and broken parts must be replaced as they can possibly create dangerous situations leading to unnecessary accidents.



PACKING LIST

1	CTN	1	Hardware Bag
		1	543-505 Mounting Bracket
		1	543-507 T-Fitting
1	CTN	1	545-917 Official Goal
		1	545-902 Nylon Net
1	CTN	1	543-700 Rectangular Alum. Backboard
1	BDL	2	543-204 Braces
1	PIPE	1	543-603 Support 3 1/2" x 13' Long
1	PIPE	1	543-611 3 1/2" OD Bent Post

HARDWARE BAG

4	116-625	3/8" x 1 1/2" Hex Tap Bolt
10	316-601	3/8" Flat Washer
4	236-604	3/8" Round T Nut
4	216-501	3/8" Hex Nut
1	545-506	3 1/2" Pipe Clamp
2	116-604	3/8" x 1" Hex Bolt
1	116-508	5/16" x 2" Hex Bolt
1	255-501	5/16" Lock Nut
1	416-400	1/4" Socket Key
6	196-803	1/2" x 3/4" Set Screws
2	316-501	5/16" Flat Washer

3 CTN	1 BDL	2 PIPE	6 TOTAL PCS	282# Weight	Class 70
-------	-------	--------	-------------	-------------	----------

541-756 Tandem 6 3 ½" OD Basketball Backstop
Aluminum Rectangular Backboard

Page 2
Rev. 10/06/2004

ASSEMBLY AND INSTALLATION:

NOTE: All threaded ends of bolts protruding beyond nuts must be cut off and/or peened to eliminate sharp edges. No more than two threads should extend beyond face of nut. All washers, "T" nuts, and other fastener hardware used on round pipe or tubing must be hammered down to conform to the curved underlying surface to eliminate catch points. DO NOT tighten nuts more than hand-tight until entire assembly is completed.

STEP #1: Locate and dig holes for 543-611 post and 543-603 support. See illustration for size and depth of footing holes.

STEP #2: Slide 543-507 T-Fitting onto 6' section of bent post. Secure with set screws 2' from end.

STEP #3: Attach support post to bent post using 2 set screws and socket key. Place in footing holes.

STEP #4: Pour concrete. Support and plumb post making sure the playing surface will be 9' 8" below the underside of the post using approximately (24) 80 lb. bags of pre-mix. Crown top for drainage. Allow to harden 48 hours before attaching backboard, goal and net. Attach 543-505 Mounting Bracket to end of bent post.

STEP #5: Level and secure with set screws, then attach 543-700 Aluminum Rectangular backboard to bent post using:
4 - 3/8" x 1 ½" Hex Tap Bolts 4 - 3/8" Flat Washers
4 - 3/8" Round T Nut
Insert bolts with washer attached from post side into "T" nut with threaded end inserted into backboard opening so that bolt ends extend beyond backboard. Level backboard on bent post.

Step #6: Attach goal to backboard using:
4 - 3/8" Hex Nuts 4 - 3/8" Flat Washers
Tighten goal to backboard to post by holding front hex nut and tightening on bolt end. This pulls the threaded round 'T' nut tight to backboard.

STEP #7: Attach Braces to backboard using:
2 - 3/8" x 1" Hex Bolts 2 - 3/8" Washers
2 - braces
Use foremost steel inserts on top of Backboard. Attach flat end of braces to backboard. Bend by pulling away from board until pre-bent end will fit flat between clamp ends.

STEP #8: Attach Braces to Bent post using:
1 - 5/16" x 2" Hex Bolt 1 - 4 ½" Pipe Clamp
2 - 5/16" Flat Washers 1 - 5/16" Lock Nut
Open clamp and place it on post (about 14" back from plate). Stick 5/16" flat washer on 5/16" hex bolt. Stick bolt through end of brace on right side of board. Then, pull brace back and stick the bolt through the clamp. Pull the second brace back and place over the end of the bolt sticking through the clamp. Put the 5/16" flat washer and 5/16" locknut on hand-tight. Move clamp until board is plumb and straight. Tighten lock nut.

NOTES: Use foremost steel inserts on top of backboard. Do NOT over-tighten bolts. Wait 48 hours for concrete to harden before using unit. DO NOT install where overhead electrical wires are present. Be sure the distance between the top of the rim and the playing surface is 10' 0".

MAINTENANCE INSTRUCTIONS:

Check periodically for loose bolts and/or broken parts. Replace immediately.