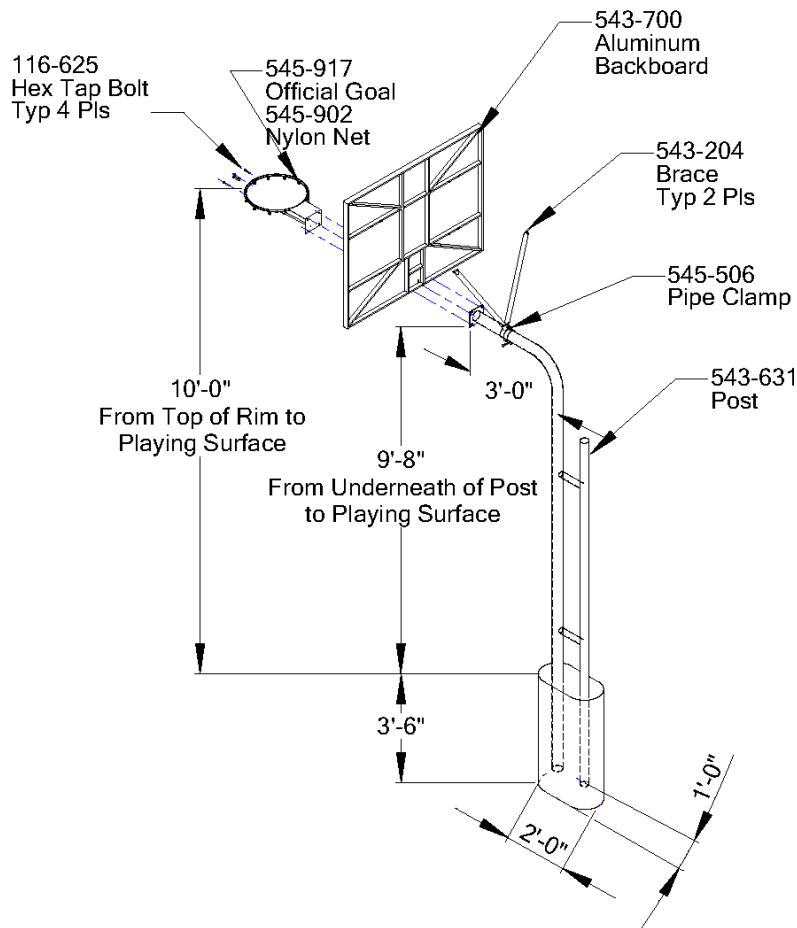


541-824 Reinforced 3 1/2" Bent Post Aluminum Rectangle Backboard

Page 1
Rev. 10/06/2004

IMPORTANT

PLEASE READ THESE INSTRUCTIONS BEFORE COMMENCING ASSEMBLY. All equipment must be installed in accordance with these instructions. Check your shipment against Bill of Lading and Parts list. Any missing or broken parts must be reported to your distributor within 10 days of receipt of your order. When properly installed and maintained, equipment will give many years of Safe, Trouble-Free use. Periodically check for loose or broken parts. Loose bolts must be tightened and broken parts must be replaced as they can possibly create dangerous situations leading to unnecessary accidents.



PACKING LIST

1	CTN	1	Hardware Bag
		1	545-917 Official Goal
		1	545-902 Nylon Net
1	CTN	1	543-700 Aluminum Rectangle Backboard
1	PIPE	1	543-631 Bent Post
1	BDL	2	545-506 Braces

HARDWARE BAG

4	116-625	3/8" x 1 1/2" Hex Tap Bolts
10	316-601	3/8" Flat Washers
4	236-604	3/8" Round T Nut
4	216-601	3/8" Hex Nut
1	545-506	3 1/2" Pipe Clamp
2	116-604	3/8" x 1" Hex Bolts
1	116-508	5/16" x 2" Hex Bolt
2	316-501	5/16" Flat Washer
1	226-501	5/16" Lock Nut

2 CTN	1 BDL	1 PIPE	4 TOTAL PCS	196# Weight	Class 70
-------	-------	--------	-------------	-------------	----------

SportsPlay Equipment, Inc., 5642 Natural Bridge, St. Louis, MO 63120 (314) 389-4140
www.sportsplayinc.com

