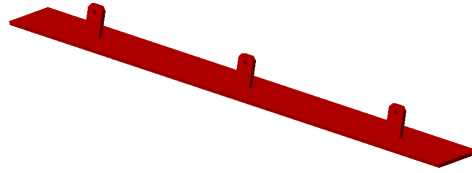


## **AZTEC ROPEVENTURE 4 ASSEMBLY INSTRUCTIONS**



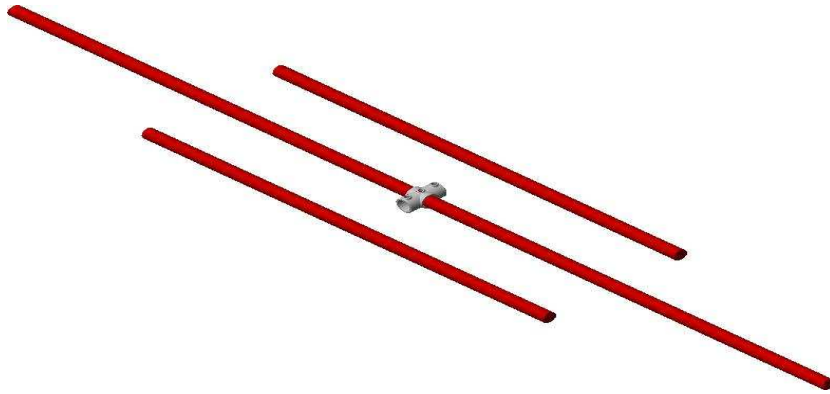
Aztec Plastic Walls  
(4 Pieces)



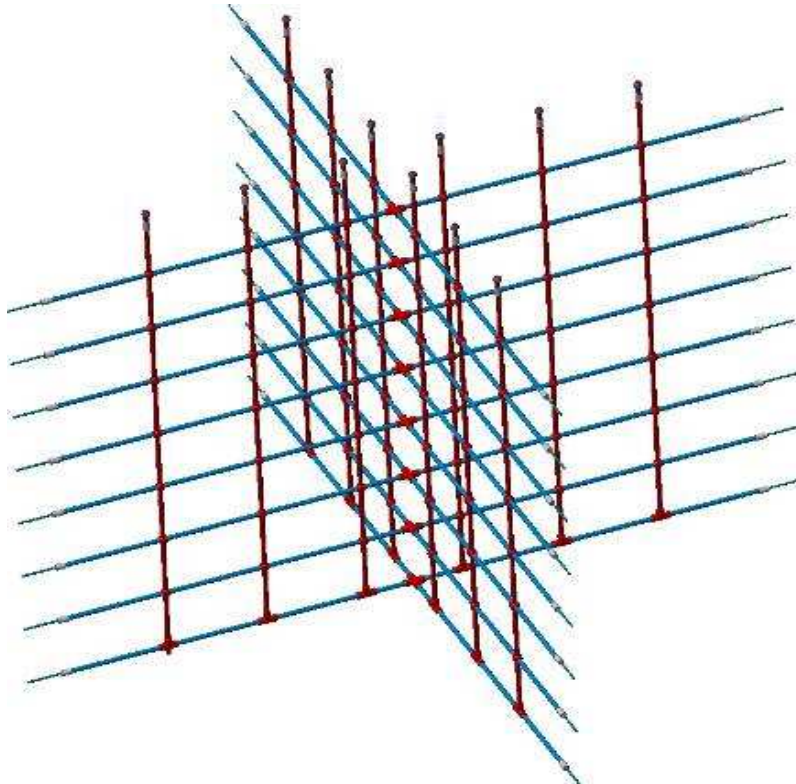
Ground Metals (4 Pieces)



Vertical Connecting  
Poles (4 Pieces)

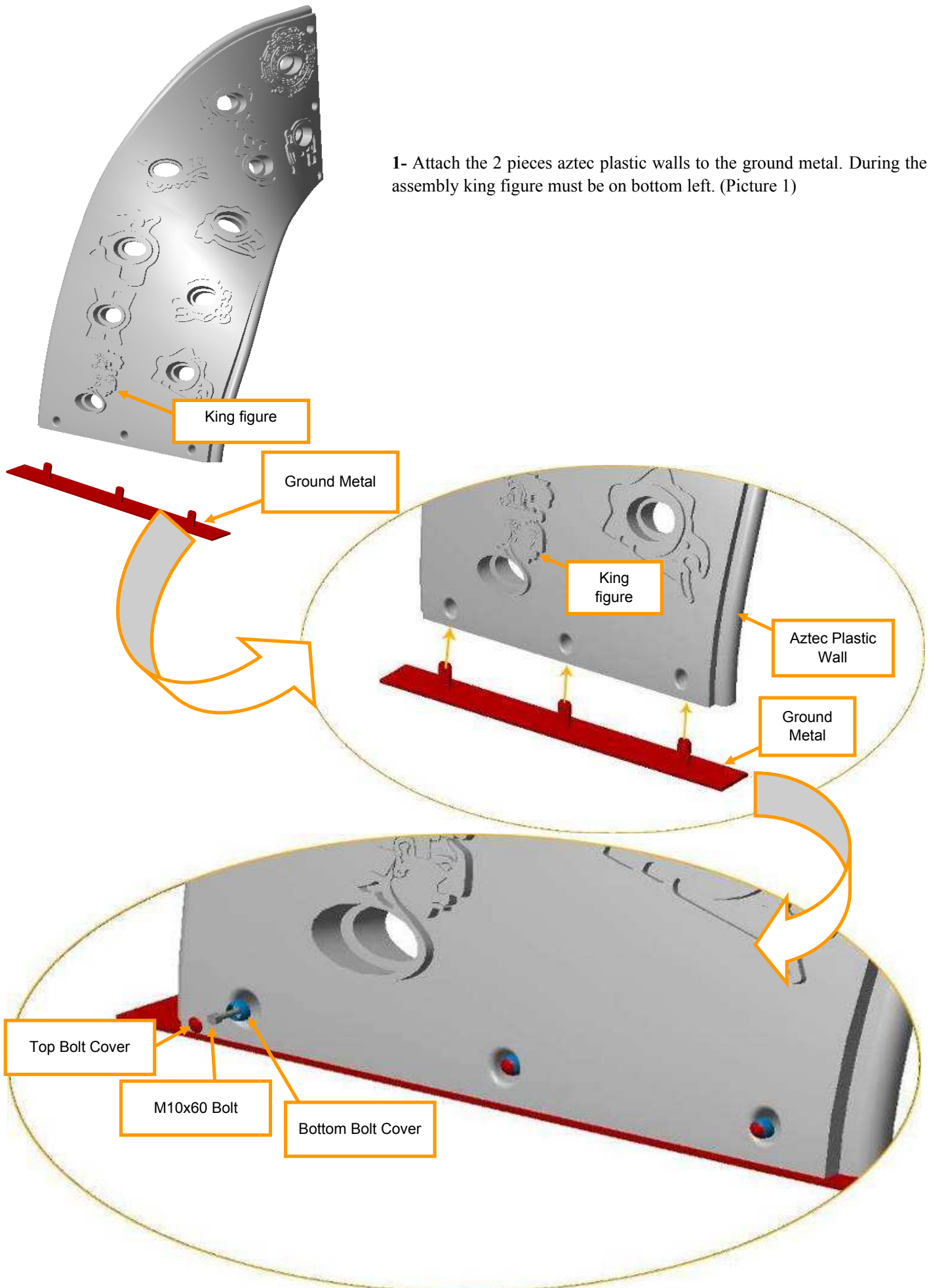


Rope Connecting Tubes (3 Pieces, 1 Long 2 Short) and Connecting Piece



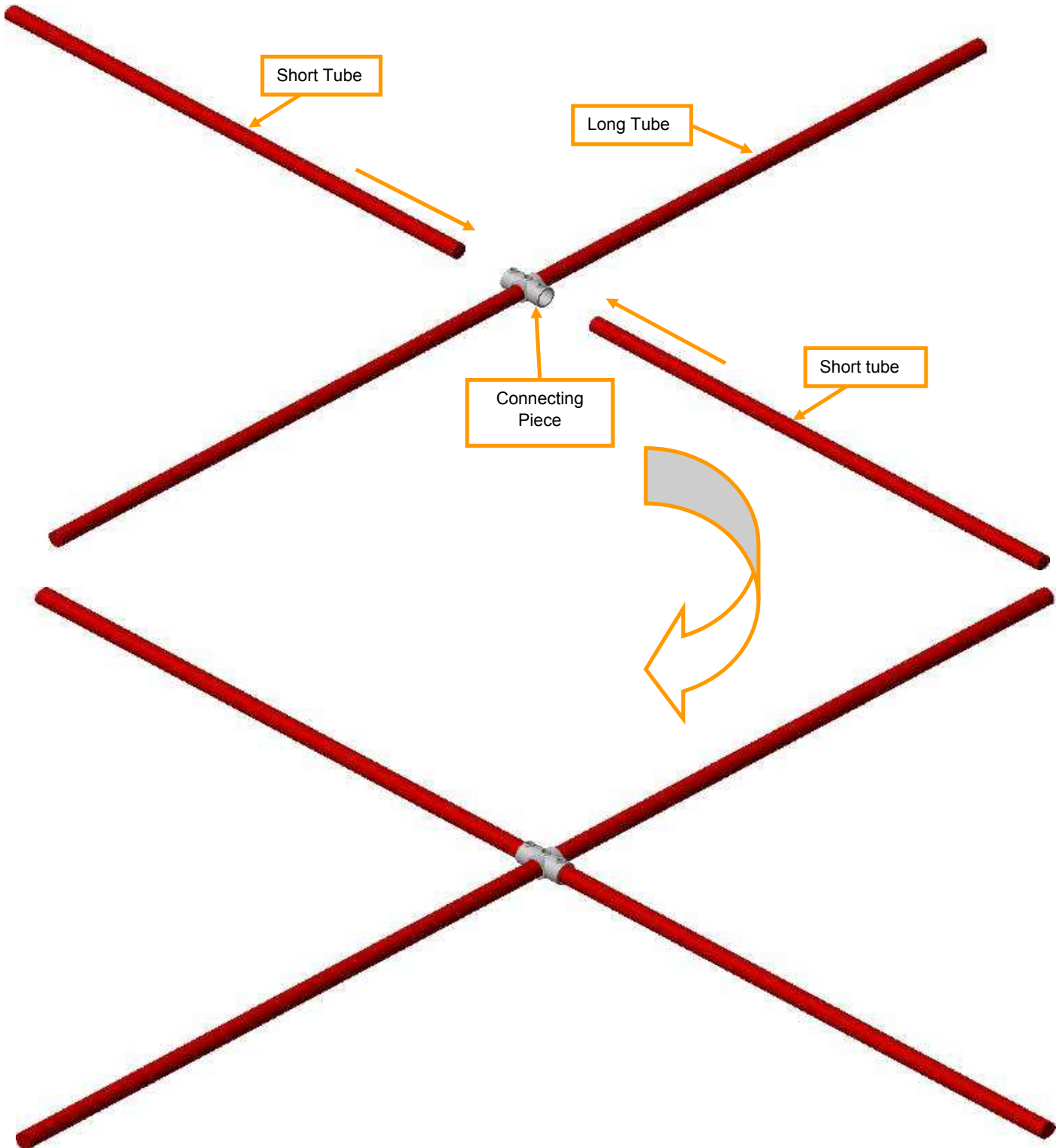
Climbing Ropes

1- Attach the 2 pieces aztec plastic walls to the ground metal. During the assembly king figure must be on bottom left. (Picture 1)



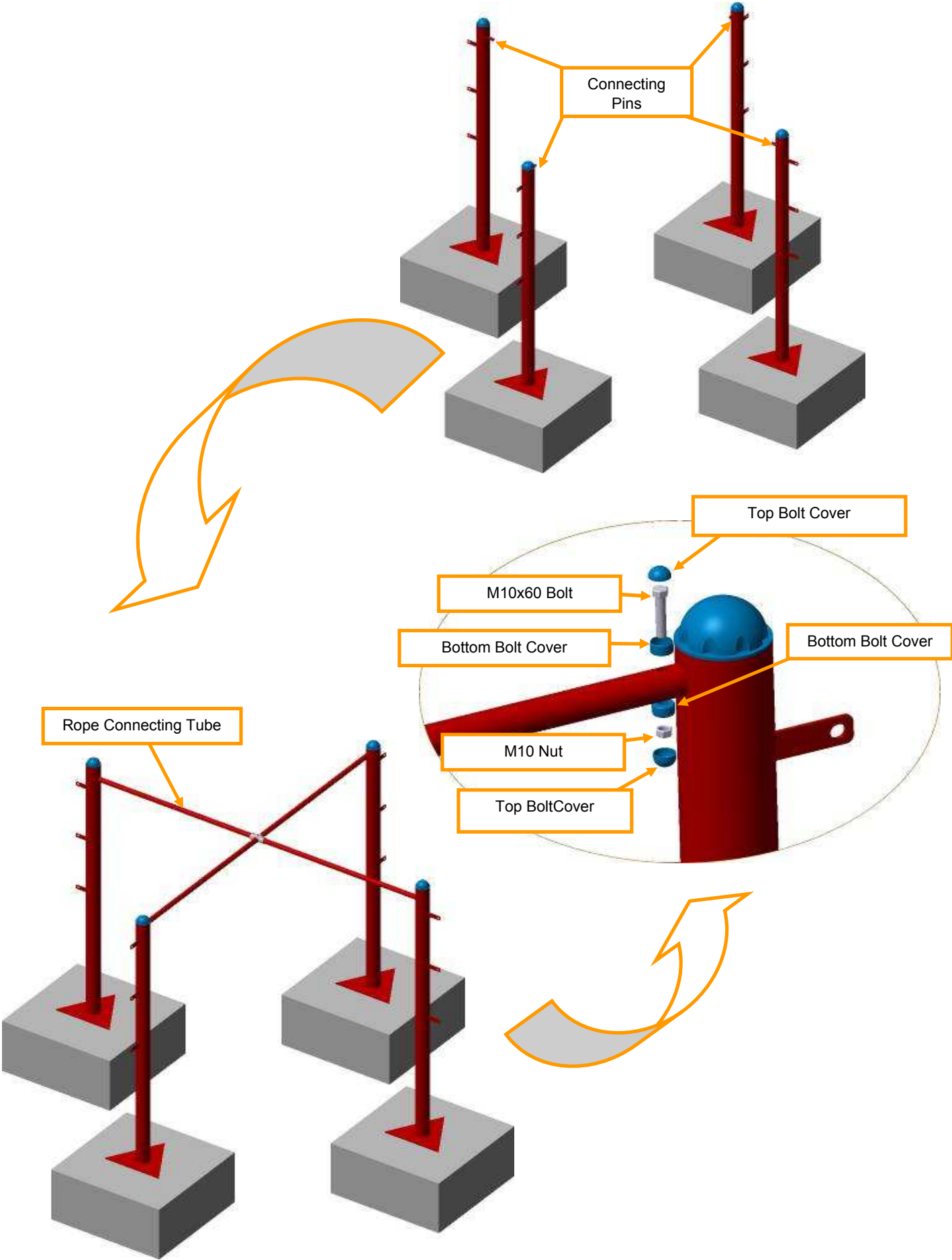
(Picture 1)

2- Bring to connecting piece to the middle of the long connecting tubes. Then squeeze the socket-head cap screw. Attach the short tubes on right and left side on the connecting piece then squeeze the socket-head cap screw. (Picture 2)



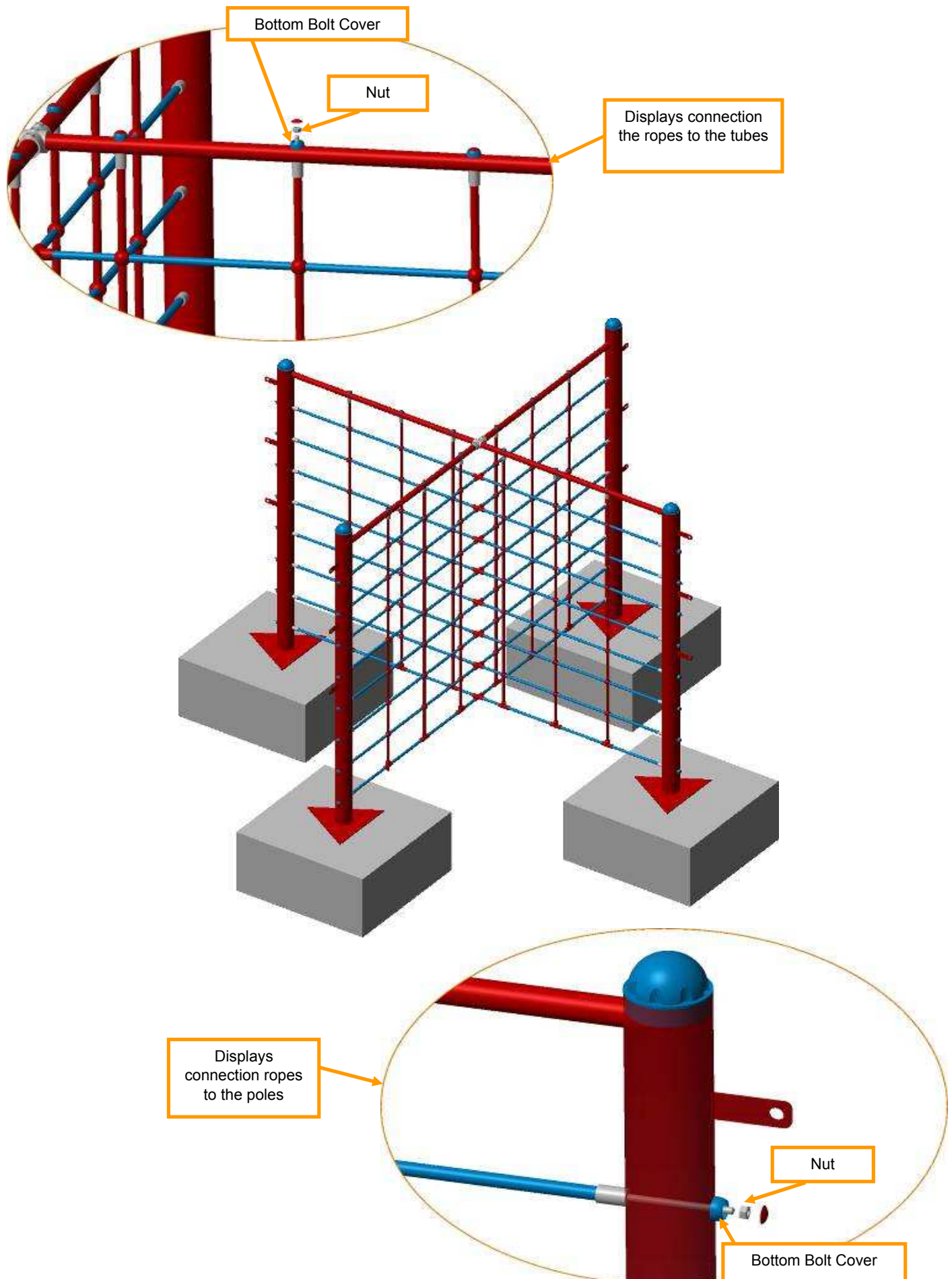
(Picture 2)

3- Place the poles to the concretes which you are going to install. Attach the rope connecting poles to the connecting pin on the top of the poles. Use M10x60 Bolt, M10 Nut and bolt cover for attaching. (Picture 3)



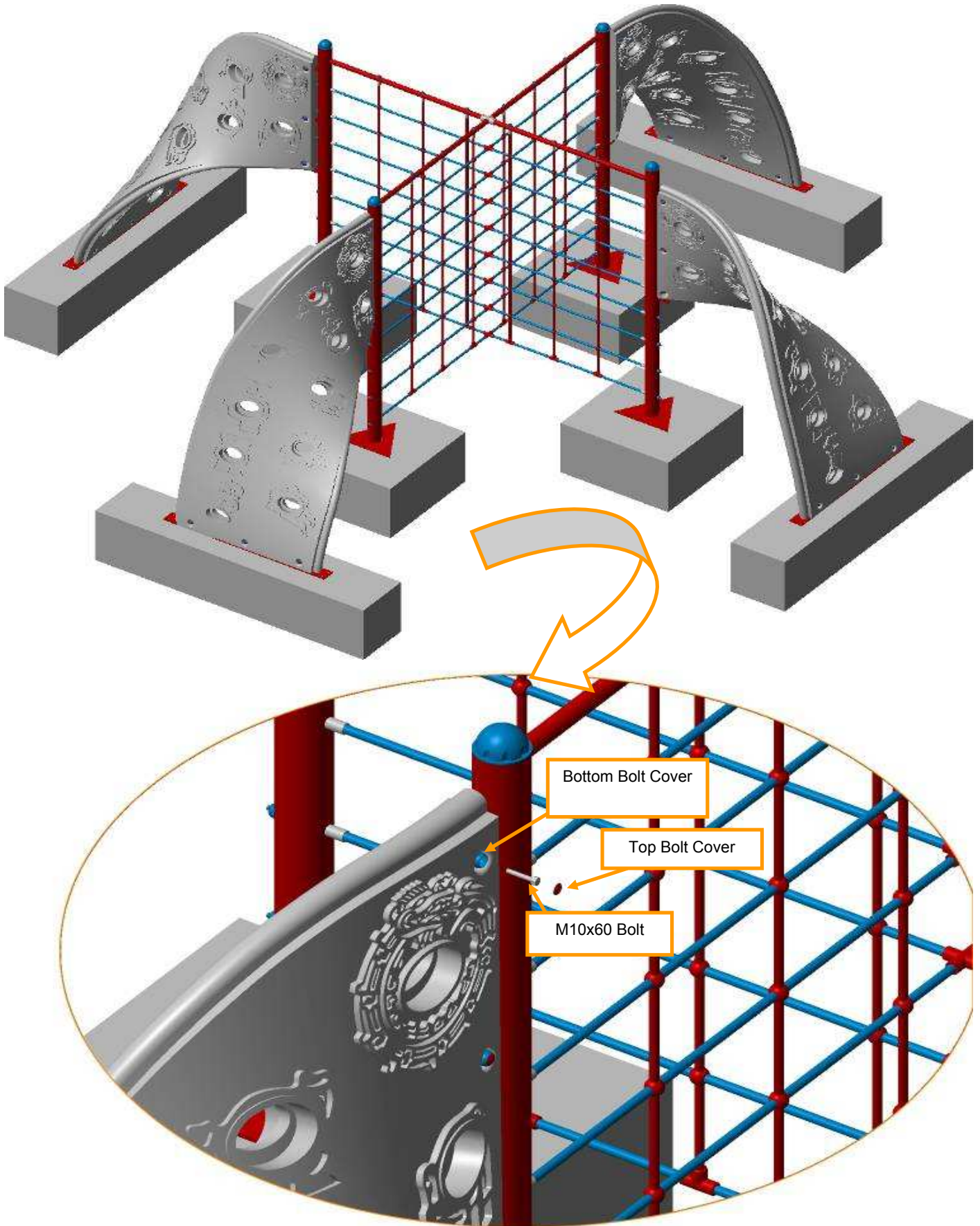
(Picture 3)

4- Remove the climbing ropes from their packages and attach to the poles and rope connecting tubes. Fix the bolts is on the edge of the ropes with using M10 Nut and bolt cover. (Picture 4)



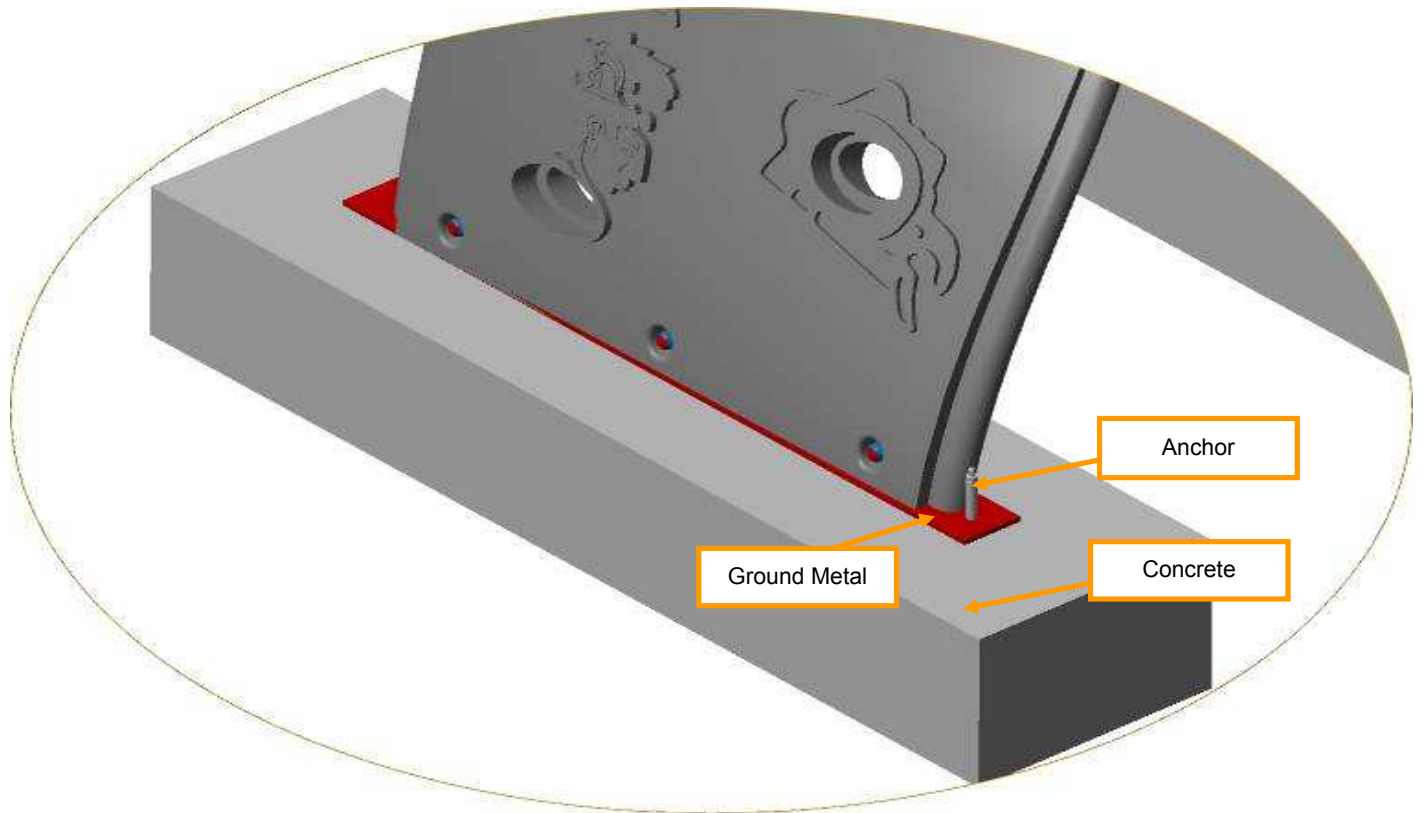
(Picture 4)

5- Attach the aztec plastic walls to the auricles on the vertical connecting poles. Connect using bolts etc as before. (Picture 5)



(Picture 5)

6- Drill the all holes through the anchor hole on the ground metals. Use the anchors provided to secure the structure.(Picture 6)



(Picture 6)