



MERRY-GO-ROUND 8'

301-143

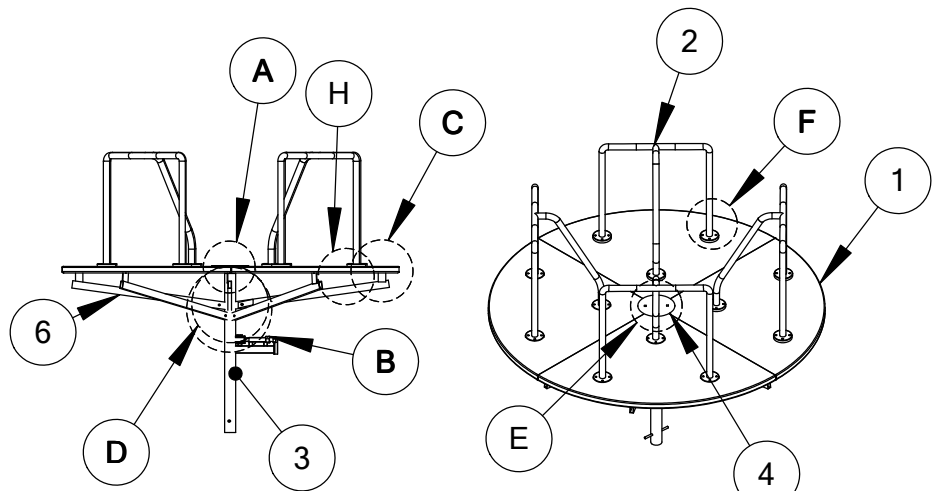
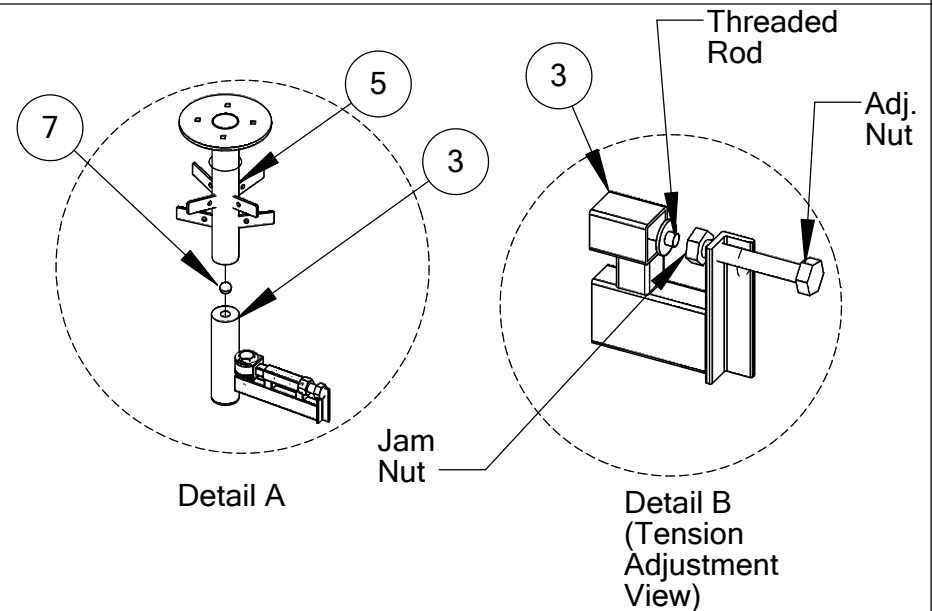
ITEM NO.	PART NUMBER	DESCRIPTION	QTY.
1	913-802R	8' MGR Quarter Deck	4
2	913-323	Merry-Go-Round Handrail	4
3	913-806	8' MGR Post	1
4	336-067	Center Hub Disk for 8' MGR	1
5	913-803	8' MGR Center Hub Assembly	1
6	913-804	8' MGR Main Support Arm	8
7	336-029	1" Ball Bearing	1
8	336-030	Grease Fitting	2
9	316-801Z	1/2" Flat Washer Zinc	4
10	226-802Z	1/2" Nylon Lock Nut Zinc	4
11	126-810	1/2" x 4" Carriage Bolt	4
12	126-701BPS	3/8" x 1-1/4" Button Pin SS	72
13	316-601	3/8" Flat Washer	160
14	226-602	3/8" Nylon Lock Nut SS	84
15	416-505BPK	7/32" Long Arm Btn Pin Key	2
16	917-151	Touch up Paint (yellow)	1
17	126-707	3/8" x 1-1/2" Buttonhead Bolt	8

IMPORTANT

Please retain this instruction sheet in your files. It contains important replacement parts information. All equipment should be installed in accordance with these instructions.

It is important to use and maintain all public playground equipment properly. Playground equipment, which is improperly maintained, can cause serious injury. Periodical inspections, maintenance, repair and or replacement of damaged parts is necessary for safe operation of equipment and safety of users. Resilient Surfacing should be used under all playground equipment appropriate publications, available at no charge, from the consumer product safety commission, include a "Handbook for Public Playground Safety". You can receive your free copy by calling 301-504-7908.

Not to Scale



INSTRUCTIONS

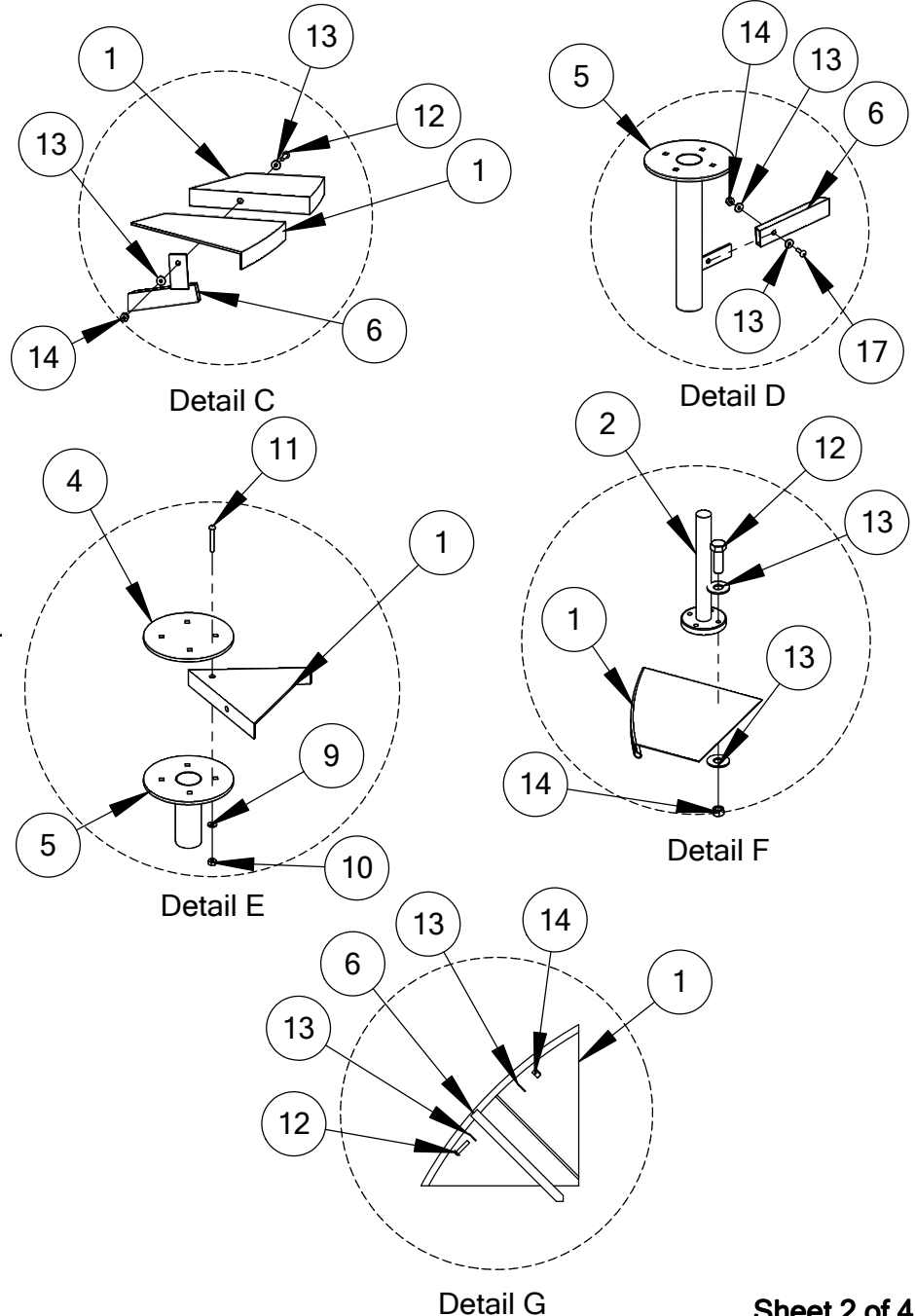
NOTE: Stainless steel hardware does have a tendency of "seizing up" so you may want to use some type of lubrication to keep this from occurring.

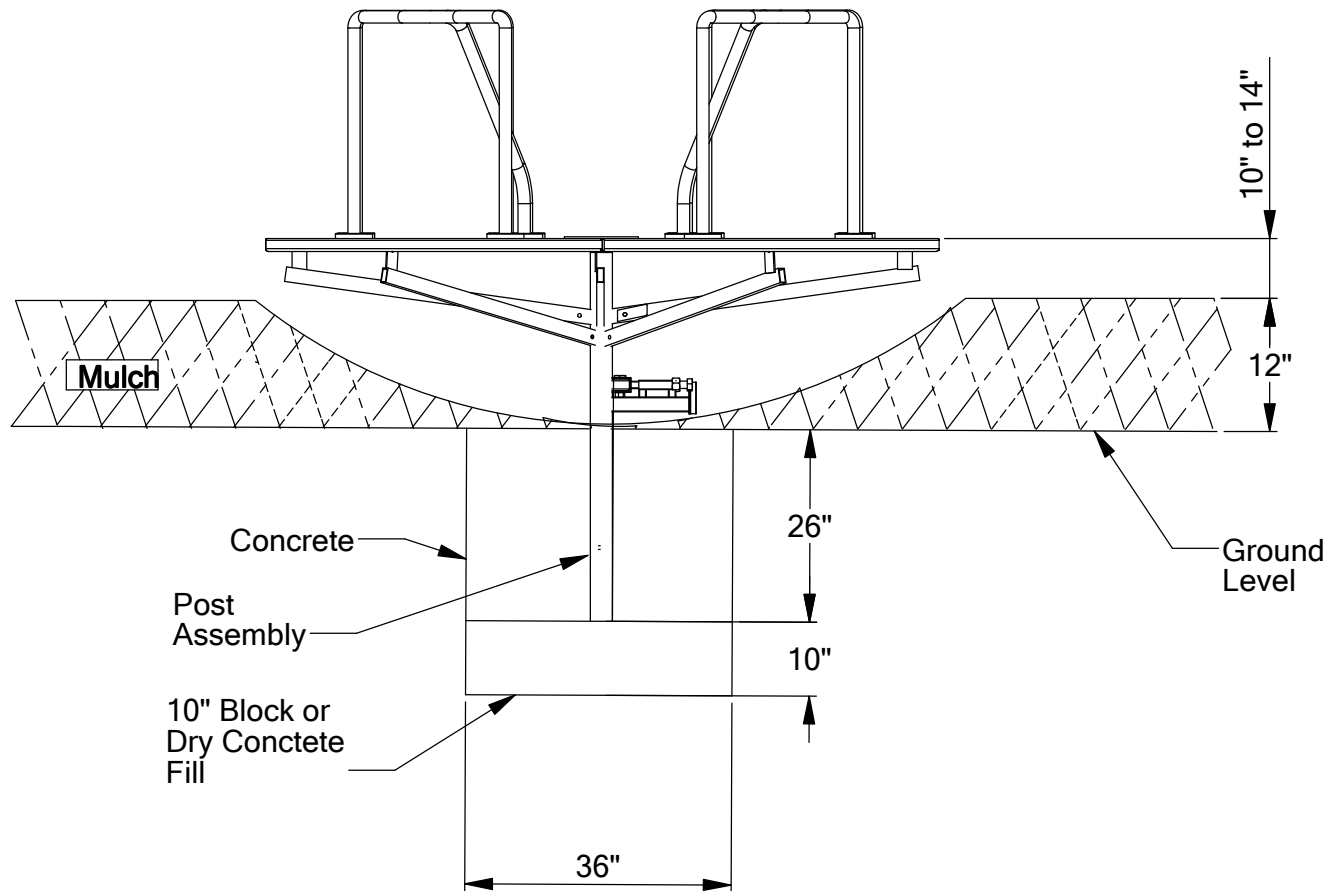
1. Once the desired location has been determined while keeping safety fall zone in mind, dig a 36" diameter hole to a depth of 36".
2. After hole is cleaned out of all loose material, fill the hole approximately 10" with dry concrete directly from the bag, this will serve as an extra footing base. Then place the 2.5" post assembly in hole with the bearing pocket facing up.
CAUTION: The post assembly must be perfectly level in all directions before pouring concrete, then check periodically for the first hour after the initial pour to make sure it stays level.
3. Place the steel ball into the bearing pocket on the post and lubricate with a multi purpose grease. You will need to lubricate the merry go round as needed to maintain proper spin and eliminate any possible post and shaft wear.
4. Begin by placing the center hub down onto the post per Detail A and begin installing the 8 main support arms per Detail D.
5. **Make sure support arm(6) slides over tab on hub(5).**
6. Next begin installing the 4 deck sections per Detail C and E. Install all bolts before tightening. Once all decks are installed tighten each deck equally. Slowly work around each deck until all sections are tight. Failure to tighten per these instructions may result in an undesirable gap between decks. Be sure to keep the top of deck surfaces flush with each other.
7. Now place the 4 handrails on the deck assembly and bolt down per Detail F. **NOTE:** You may need to pull the hand-rails in order to get them to line up, this is normal as the welding process will cause them to draw slightly.
8. **Tension Adjustment:** Begin by backing off the jamb nut then adjustment bolt until the rubber friction wheel is pushing firmly onto the center sleeve. Adjust to the desired resistance then tighten jamb nut.
9. Finally, begin installing the safety surfacing to a depth of 12" deep around the play event, you can go less around the post assembly if desired so it won't cover the speed reducing mechanism.

Safety:

1. Periodically check event for structural integrity and that all hardware is tight.
2. Periodically lubricate event with a multi purpose grease.
3. Touch up any marred or damaged surface.
4. The deck surface must maintain a distance of 10" minimum to 14" maximum height above the playground safety surfacing at all times.

NOTE: Merry Go Round must be installed over loose resilient surfacing ONLY. It can't be installed over pour in play rubber!

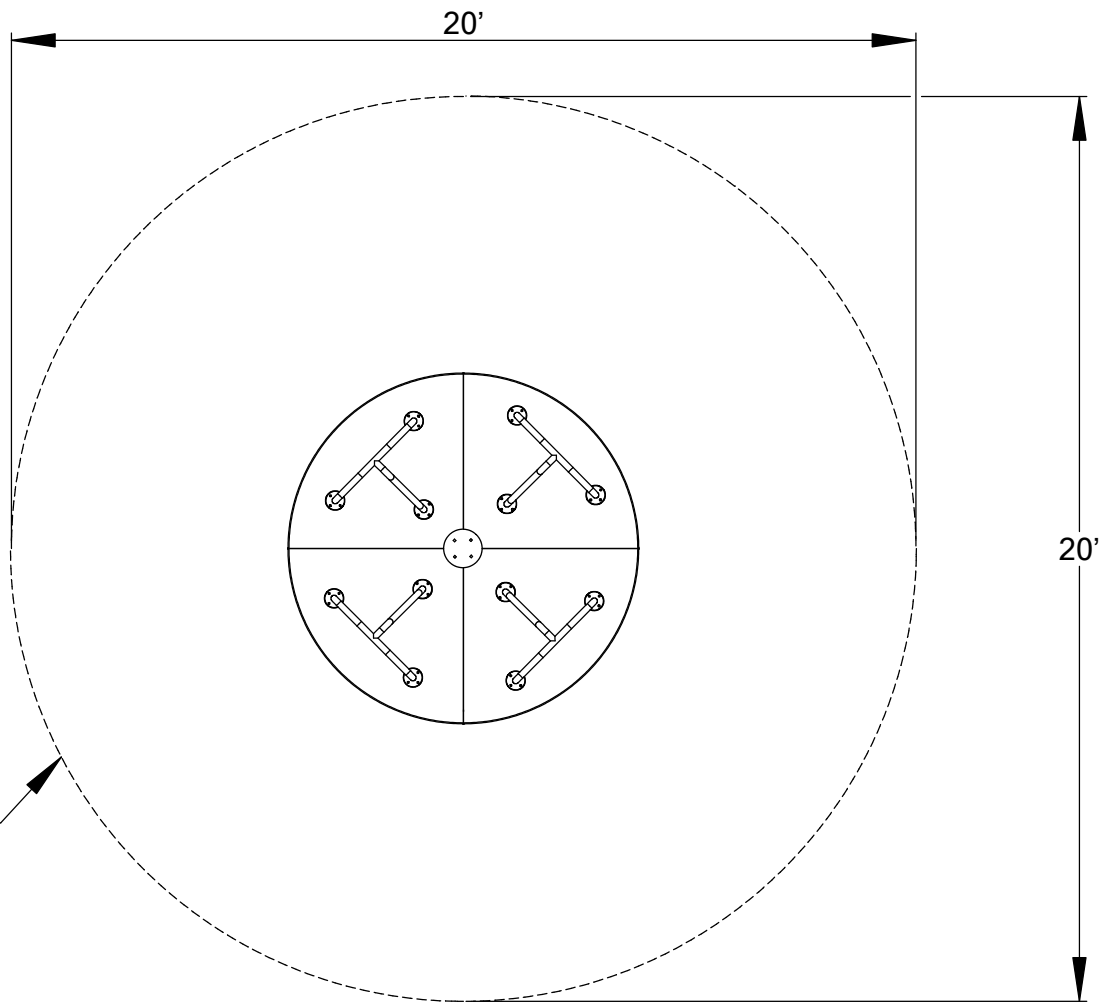




NOTE: Merry Go Round must be installed over loose resilient surfacing ONLY. It can't be installed over pour in play rubber

Not to Scale

Sheet 3 of 4



DASHED LINE
INDICATES
USE ZONE

NOT TO SCALE



SportsPlay

5642 Natural Bridge
800-727-8180
Fax: 314-389-9034
www.sportsplayinc.com

Size: 8' X 8'

Use Zone: 20' X 20'

Drawn By:

Candy

Date

07-15-09

CPSC: Compliant
ASTM: Compliant

Project: 301-143 8' Merry-Go-Round

Distributor: SportsPlay

Scale: 1:48

Sheet 4 of 4