



MERRY-GO-ROUND 10'

301-146

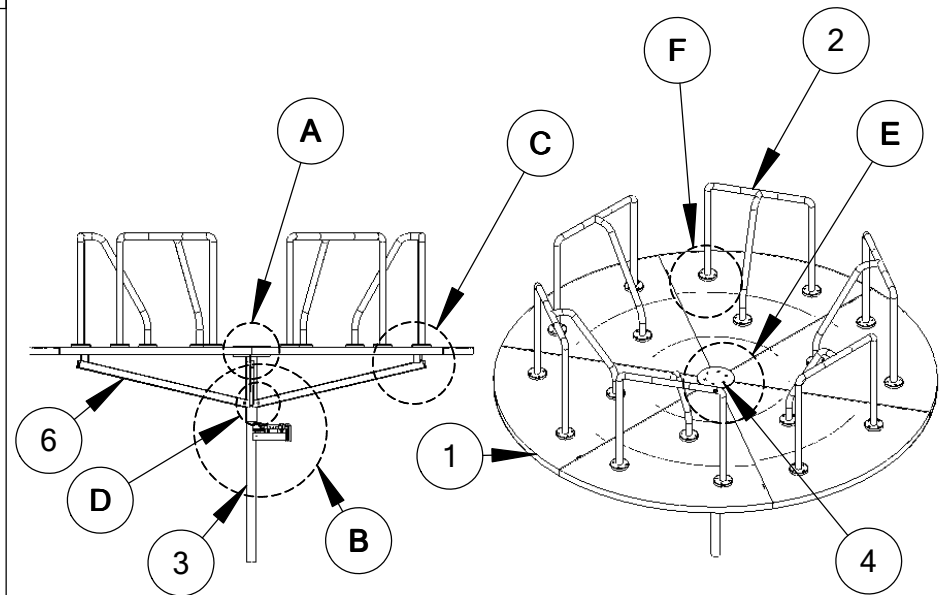
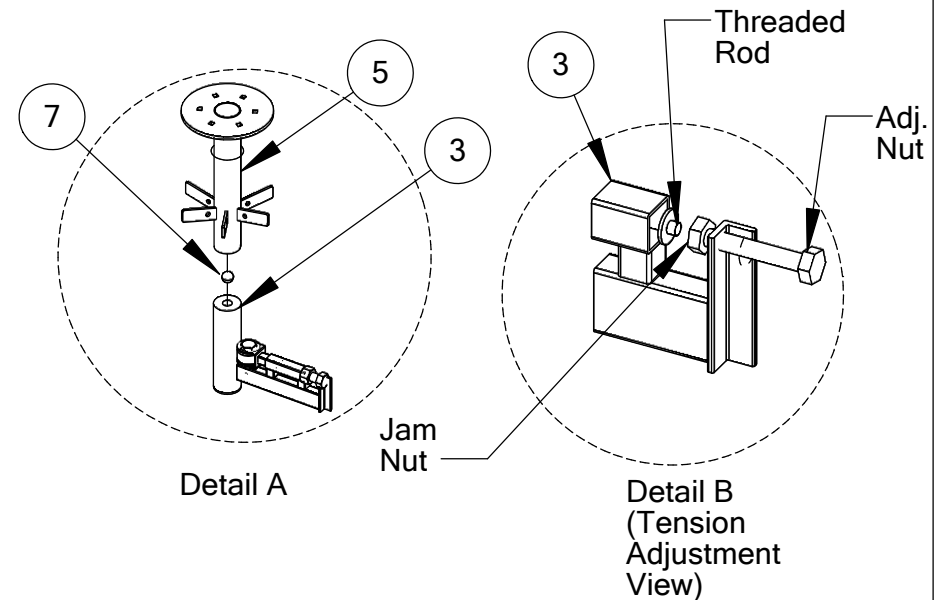
ITEM NO.	PART NUMBER	DESCRIPTION	QTY.
1	405-010	Merry-Go-Round Platform 10'	6
2	913-323	Merry-Go-Round Handrail "U"	6
3	913-379	2.5" Post Assy for 10' MGR	1
4	336-046	Center Hub Disk for 10' MGR	1
5	913-377	Center Hub for 10' MGR	1
6	913-378	Support Bars for 10' MGR	6
7	336-044	1-1/2" Ball Bearing for 10' MGR	1
8	336-030	Grease Fitting	2
9	316-801Z	1/2" Flat Washer Zinc	6
10	226-802Z	1/2" Nylon Lock Nut Zinc	6
11	126-810	1/2" x 4" Carriage Bolt	6
12	126-701BPS	3/8" x 1-1/4" Button Pin SS	107
13	316-601	3/8" Flat Washer	214
14	226-602	3/8" Nylon Lock Nut Ss	107
15	416-505BPK	7/32" Long Arm Btn Pin Key	2
16	917-151	Touch up Paint (yellow)	1
17	126-709BPS	3/8" x 2-1/2" Buttonhead Bolt	6

IMPORTANT

Please retain this instruction sheet in you files. It contains important replacement parts information. All equipment should be installed in accordance with these instructions.

It is important to use and maintain all public playground equipment properly. Playground equipment, which is improperly maintained can cause serious injury. Periodical inspections, maintenance, repair and or replacement of damaged parts is necessary for safe operation of equipment and safety of users. Resilient surfacing should be used under all playground equipment appropriate publications, available at no charge, from the consumer product safety commission, include a " Handbook for Public Playground Safety". You can receive your free copy by calling 301-504-7908

NOT TO SCALE



INSTRUCTIONS

NOTE: Stainless steel hardware does have a tendency of "seizing up" so you may want to use some type of lubrication to keep this from occurring.

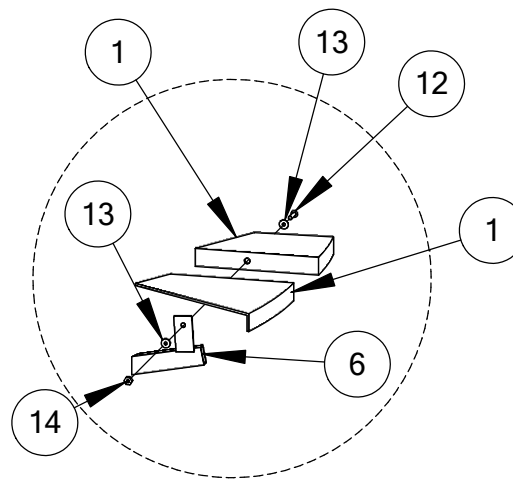
1. Once the desired location has been determined while keeping safety fall zone in mind, dig a 36" diameter hole to a depth of 36".
2. After hole is cleaned out of all loose material, fill the hole approximately 10" with dry concrete directly from the bag, this will serve as an extra footing base. Then place the 2.5" post assembly in the hole with the bearing pocket facing up. CAUTION: The post assembly must be perfectly level in all directions before pouring concrete, then check periodically for the first hour after the initial pour to make sure it stays level.
3. Place the steel ball bearing into the bearing pocket on the post and lightly lubricate with a multi purpose grease. You will need to lubricate the merry go round as needed to maintain proper spin and eliminate any possible post and shaft wear.
4. Begin by placing the center hub down onto the post per Detail A and begin installing the 6 main support arms per Detail D. **Make sure that the support bar(6) slides over the tab on the hub(5).**
5. Next begin installing the 6 deck sections per Details C and E. Make sure the decks are tightened at the same height with each other.
6. Now place the 6 handrails on the deck assembly and bolt down per Detail F. NOTE: You may need to pull the handrails in order to get them to line up, but this is normal as the welding process will cause them to draw slightly.
7. Tension Adjustment: Begin by backing off jamb nut then tighten adjustment bolt until the rubber friction wheel is pushing firmly onto the center sleeve. Adjust to the desired resistance then tighten jamb nut.
8. Finally, begin installing the safety surfacing to a depth of 12" deep around the play event, you can go less around the post assembly if desired so it won't cover the speed reducing mechanism.

Safety:

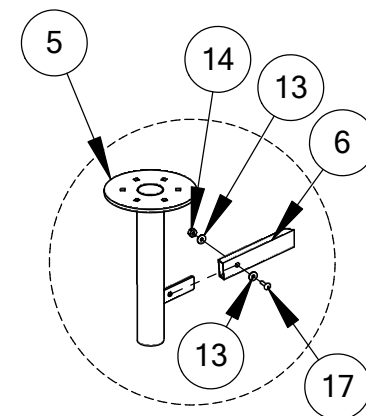
1. Periodically check event for structural integrity and that all hardware is tight.
2. Periodically lubricate event with a multi purpose grease.
3. Touch up any marred or damaged surface.
4. The deck surface must maintain a distance of 10" minimum to 14" maximum height above the playground safety surfacing at all times.

NOTE: Merry Go Round must be installed over loose resilient surfacing ONLY. It can't be installed over pour in play rubber!

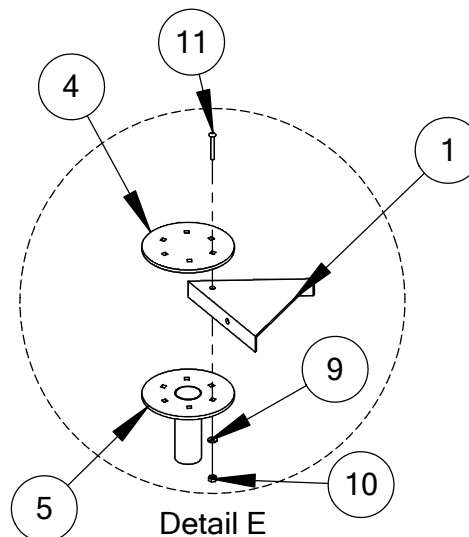
NOT TO SCALE



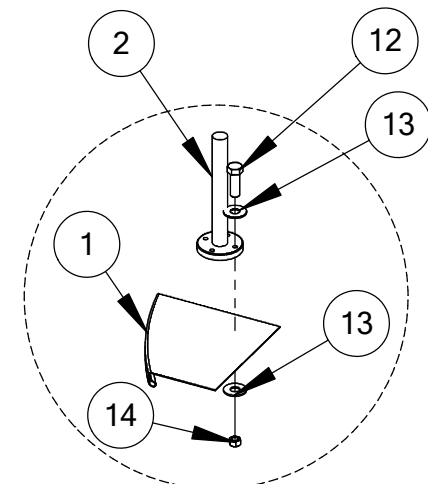
Detail C



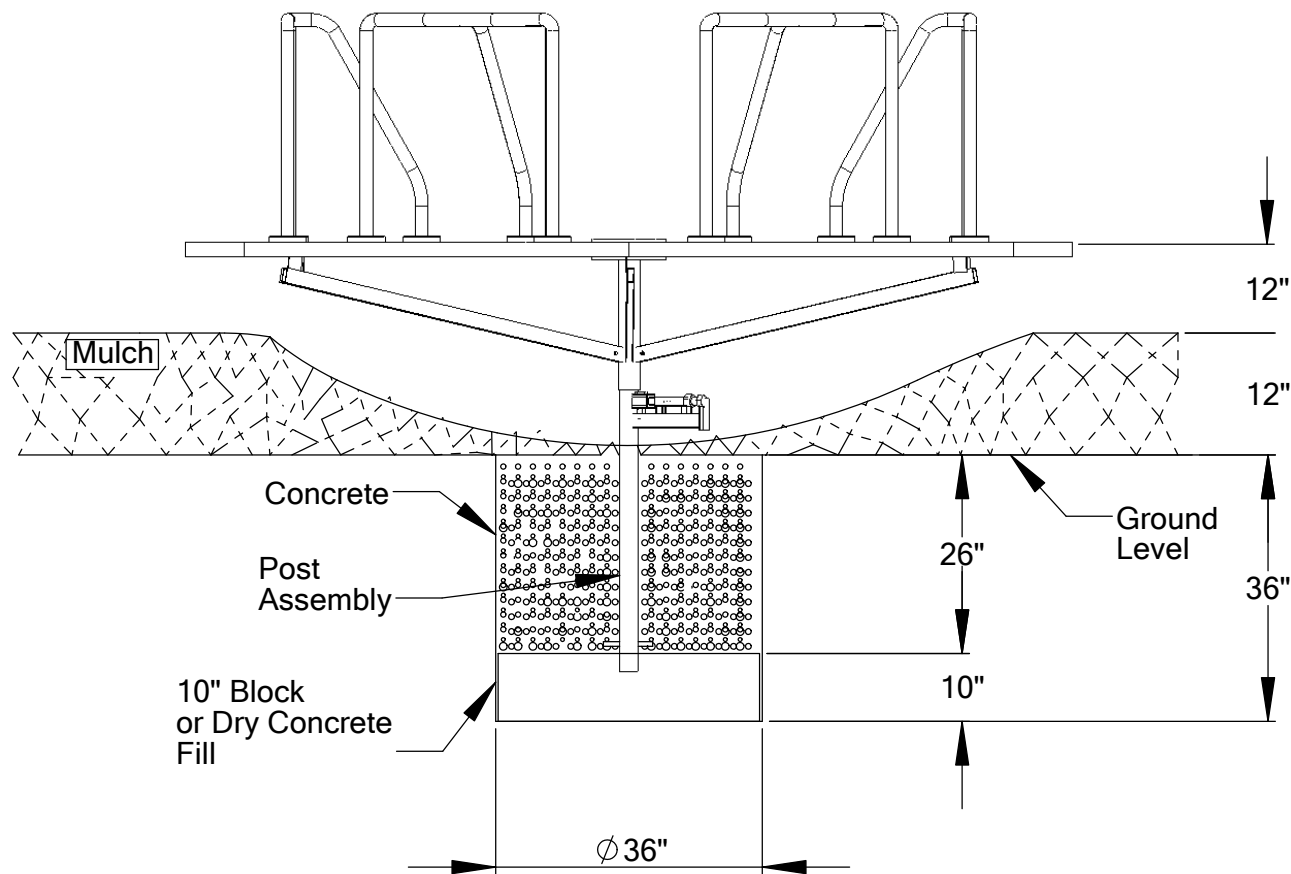
Detail D



Detail E

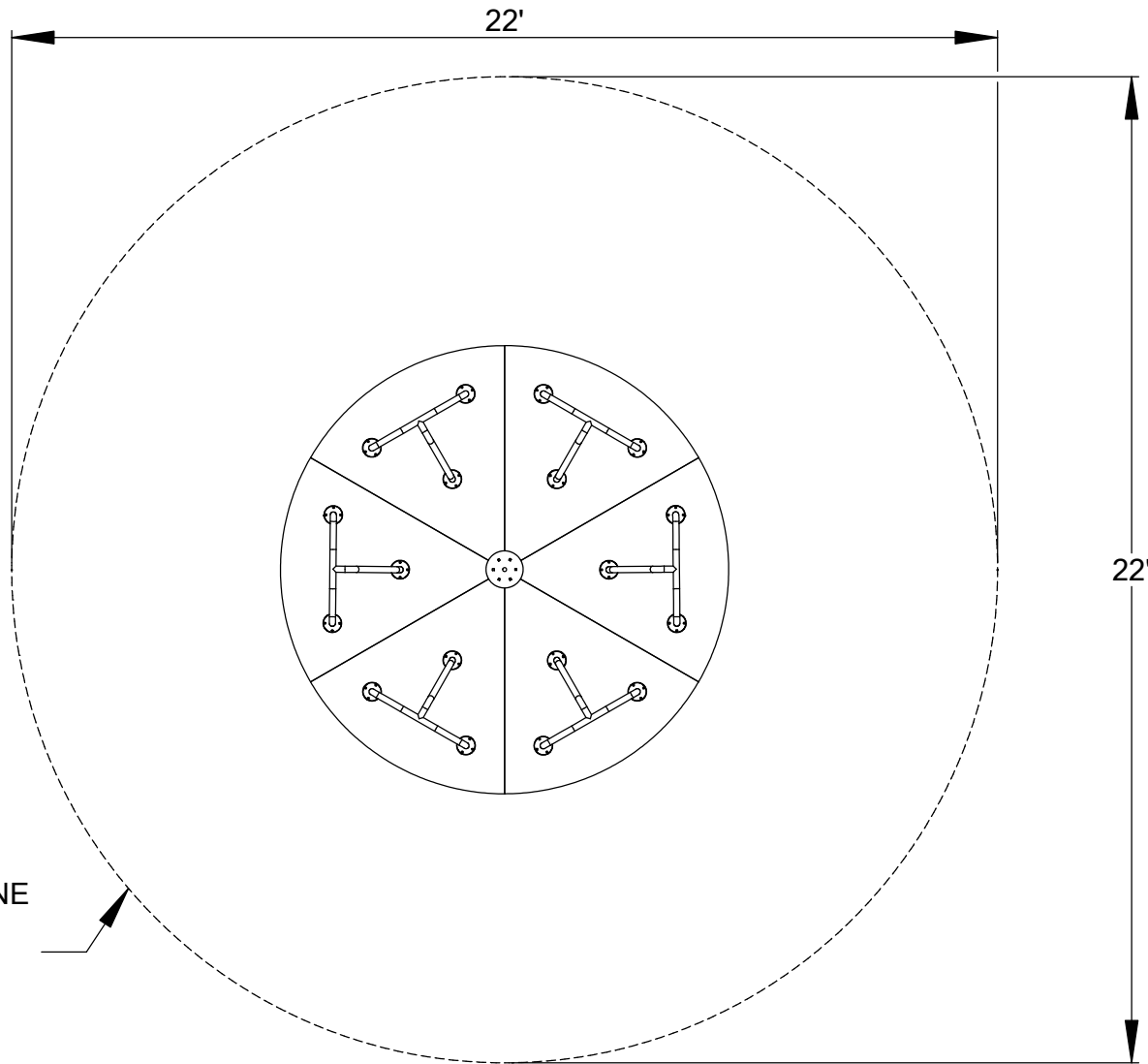


Detail F



NOTE: Merry Go Round must be installed over loose resilient surfacing ONLY. It can't be installed over pour in play rubber !

NOT TO SCALE



NOT TO SCALE



SportsPlay
 5642 Natural Bridge
 800-727-8180
 Fax: 314-389-9034
 www.sportsplayinc.com

Size: 10' X 10'
 Use Zone: 22' X 22'

Drawn By:

Date

Project: 10' Merry-Go-Round

Candy

07-15-09

Distributor: SportsPlay

CPSC: Compliant
 ASTM: Compliant

Scale: 1:48

Sheet 1 of 1