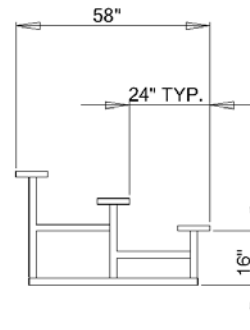
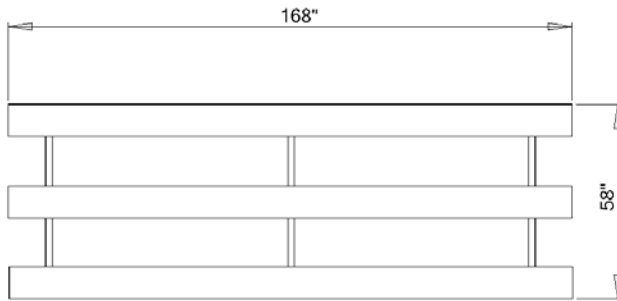
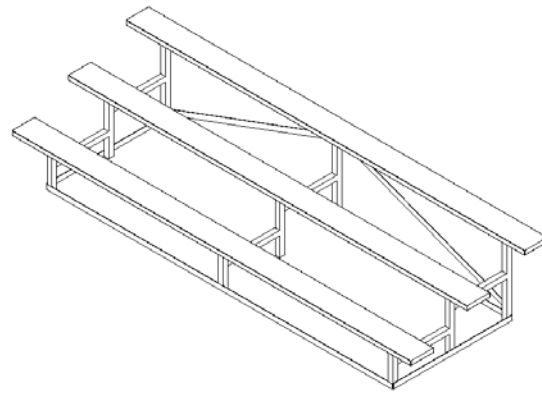


**602-143 3-ROW ALUMINUM BLEACHER**

**\* IMPORTANT \***

PLEASE RETAIN THIS INSTRUCTION SHEET IN YOUR FILES. IT CONTAINS IMPORTANT REPLACEMENT PARTS INFORMATION. ALL EQUIPMENT SHOULD BE INSTALLED IN ACCORDANCE WITH THESE INSTRUCTIONS



**PACKING LIST**

**HARDWARE BAG**

- 1 – CTN      1 Hardware Bag
- 1 – BDL      3 603-914    14' Alum Board
- 1 – BDL      2 603-914    14' Alum Board
- 1 – BDL      1 603-201    Lower Brace
- 2 603-203    Diagonal Brace
- 3 – WF        3 603-902    Bleacher Frame

- 6 – 116-504    5/16" x 1"    Hex Hd Bolt
- 30 – 126-504   5/16" x 1"    Carriage Bolt
- 30 – 316-501   5/16"        Flat Washer
- 36 – 226-501   5/16"        Lock Nut
- 30 – 605-506                    Alum Clip

1 CTN	3 BDL	3 WF	7 TOTAL PCS	WT 223#	CLASS 70
-------	-------	------	-------------	---------	----------

GENERAL ASSEMBLY INSTRUCTIONS:

Check all the parts and hardware with the packing list to be sure you have received everything needed to assemble this product. CONTACT YOUR LOCAL DISTRIBUTOR WITH NOTIFICATION OF ANY MISSING OR DAMAGED PARTS. Contact must be made within ten days of receipt of your order.

Only hand-tighten nuts & bolts on initial assembly. Final tightening should be done EVENLY after final assembly when unit has been plumbed & leveled.

After assembly is complete, ANY ENDS OF BOLTS PROTRUDING BEYOND NUTS SHOULD BE CUT OFF AND/OR PEENED OVER TO REMOVE ANY SHARP PROJECTIONS. Go over entire unit to file smooth any sharp edges or projections that may have been caused by rough handling in shipping or installation. T-Clamps are designed for both one and two bolt connections. In many situations only one bolt is required. See specific assembly instructions.

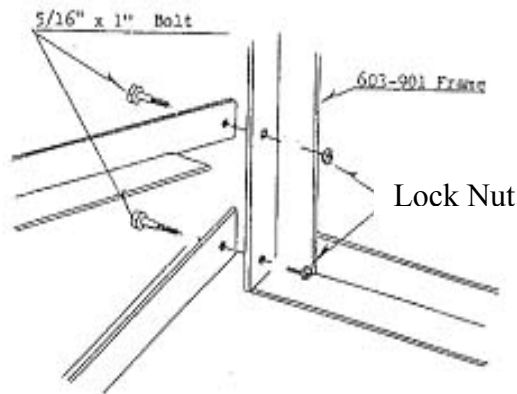
On products with platforms install 1-2 degrees off level to facilitate water drainage.

GENERAL MAINTENANCE INSTRUCTIONS:

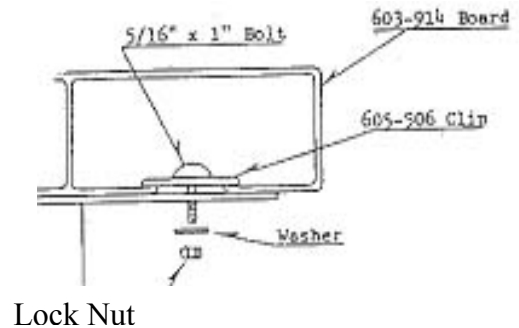
Check MONTHLY for loose bolts, damaged or broken parts. Tighten and/or replace immediately.

SPECIFIC ASSEMBLY INSTRUCTIONS:

STEP #1: Assemble Frame



STEP #2: Attach Alum Boards,  
Starting with the two end boards first



SPECIFICATIONS:

Frames are all welded from 1 1/2 x 1 1/2" x 3/16" 6063-T5 Aluminum Alloy Angle.

Braces are same material.

Seat & Foot Boards are 1.75 x 9.65 x .075 wall 6063-T5 anodized Aluminum Alloy Extrusions.

Hardware is 5/16" x 1" Zinc Plated Carriage & Hex Bolts.