

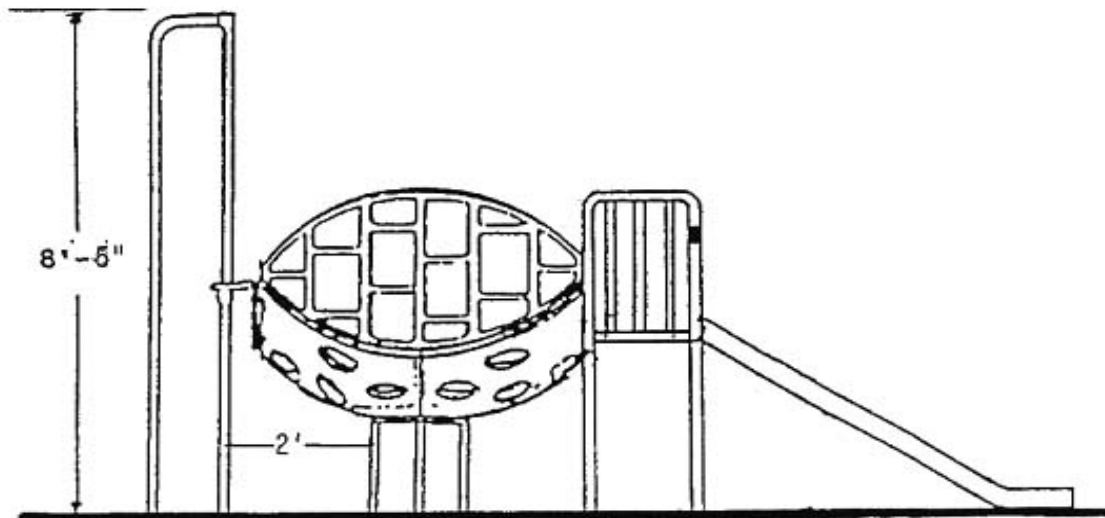
# 111-412 QUARTER DECK (w/ Plastic Slide)

5 Pages  
Rev 4/20/03

**\* IMPORTANT \***

PLEASE RETAIN THIS INSTRUCTION SHEET IN YOUR FILES. IT CONTAINS IMPORTANT REPLACEMENT PARTS INFORMATION. ALL EQUIPMENT SHOULD BE INSTALLED IN ACCORDANCE WITH THESE INSTRUCTIONS.

IT IS IMPORTANT TO USE AND MAINTAIN ALL PUBLIC PLAYGROUND EQUIPMENT PROPERLY. PLAYGROUND EQUIPMENT, WHICH IS IMPROPERLY MAINTAINED, CAN CAUSE SERIOUS INJURY. PERIODICAL INSPECTIONS, MAINTENANCE, REPAIR AND/OR REPLACEMENT OF DAMAGED PARTS IS NECESSARY FOR SAFE OPERATION OF EQUIPMENT AND SAFETY OF USERS. RESILIENT SURFACING SHOULD BE USED UNDER ALL PLAYGROUND EQUIPMENT. APPROPRIATE PUBLICATIONS, AVAILABLE AT NO CHARGE, FROM THE CONSUMER PRODUCT SAFETY COMMISSION, INCLUDE "A HANDBOOK FOR PUBLIC PLAYGROUND SAFETY." YOU CAN RECEIVE YOUR FREE COPY BY CALLING 301-504-7908.



**PACKING LIST**

1	CTN	1	Hardware	Bag
		1	103-008	Ring
1	CTN	1	503-508	Elbow
		1	113-501	Shell Support
1	CTN	2	103-029A	Grille
1	CTN	2	103-310	Leg Assy.
1	BDL	4	103-650	Upright
		1	403-317	Entrance Rail
2	WF	1	403-239	Platform Guard Rail Assy.
1	WF	1	313-426	Platform
1	WF	1	383-300	Slide Leg
1	SHELL	1	113-044	Shell
1	SLIDE	1	435-595	Plastic Slide
1	PIPE	1	103-646	Sliding Pole
1	PIPE	1	113-609A	Support Pole

**HARDWARE BAG**

2	-	113-230	Attach Angle/Platform
4	-	355-900	1 5/8" Plastic Pipe Plug
2 pr	-	415-513	1 3/8" T-Clamp
6	-	116-545	5/16" x 2 1/2" Button Hd Bolt
14	-	116-540	5/16" x 2" Button Hd Bolt
6	-	116-535	5/16" x 1 1/2" Button Hd Bolt
8	-	116-530	5/16" x 1" Button Hd Bolt
6	-	116-604	3/8" x 1" Button Hd Bolt
1	-	196-802	1/2" x 1/2" Socket Set Screw
34	-	316-601	3/8" Flat Washer
8	-	326-601	3/8" Lock Washer
28	-	326-501	5/16" Lock Washer
28	-	216-512	5/16" Button Hd Nut
4	-	226-501	5/16" Lock Nut
8	-	316-501	5/16" Flat Washer
1	-	416-400	1/4" Socket Key
2	-	416-350	3/16" Socket Key
2	-	805-532	Warning Label
2	-	805-534	SportsPlay Label
1	-		Maintenance Checklist

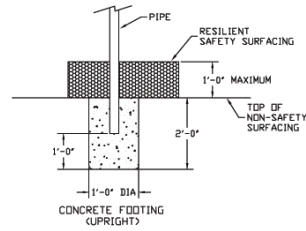
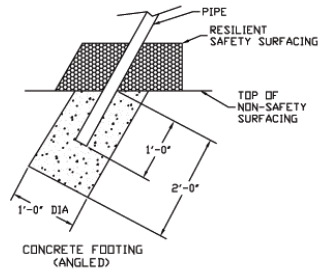
4 CTN	1 BDL	4 WF	1 SHELL	1 SLIDE	2 PIPE	13 TOTAL PCS	WT 625#	CLASS 70
-------	-------	------	---------	---------	--------	--------------	---------	----------

# 111-412 QUARTER DECK (w/ Plastic Slide)

5 Pages  
Rev 4/20/03

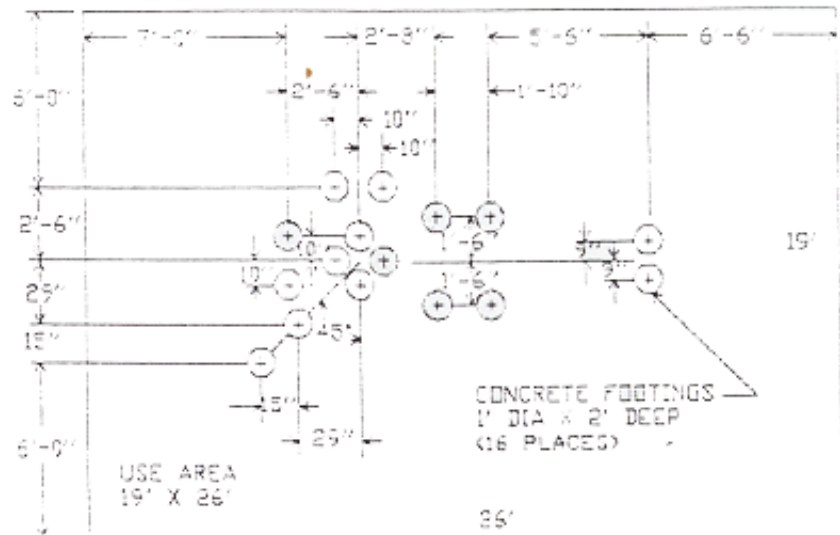
## GENERAL USE/FALL ZONE & FOOTING RECOMMENDATIONS

STATIONARY & PORTABLE EQUIPMENT - USE/FALL ZONES SHOULD EXTEND A MINIMUM OF 6 FEET IN ALL DIRECTIONS FROM THE PERIMETER OF THE EQUIPMENT GROUND SPACE. THIS AREA SHOULD BE COVERED WITH THE REQUIRED AMOUNT OF RESILIENT SAFETY SURFACING MATERIAL. FOR SOME EQUIPMENT - USE/FALL ZONES CAN OVERLAP. SEE CONSUMER PRODUCT SAFETY COMMISSION GUIDELINES. DIAMETER & DEPTH OF FOOTINGS ARE SATISFACTORY IN MOST APPLICATIONS FOR PIPE SIZES UP TO 2 3/8" DIAMETER. VARYING SOIL & CLIMATIC CONDITIONS MAY REQUIRE DEEPER & HEAVIER FOOTING IN SOME AREAS. CHECK LOCAL BUILDING CODES.



- If resilient surfacing is to be less than 12", then additional pipe should be put in concrete to maintain proper finish grade for equipment.

### USE AREA & FOOTING:



# 111-412 QUARTER DECK (w/ Plastic Slide)

5 Pages  
Rev 4/20/03

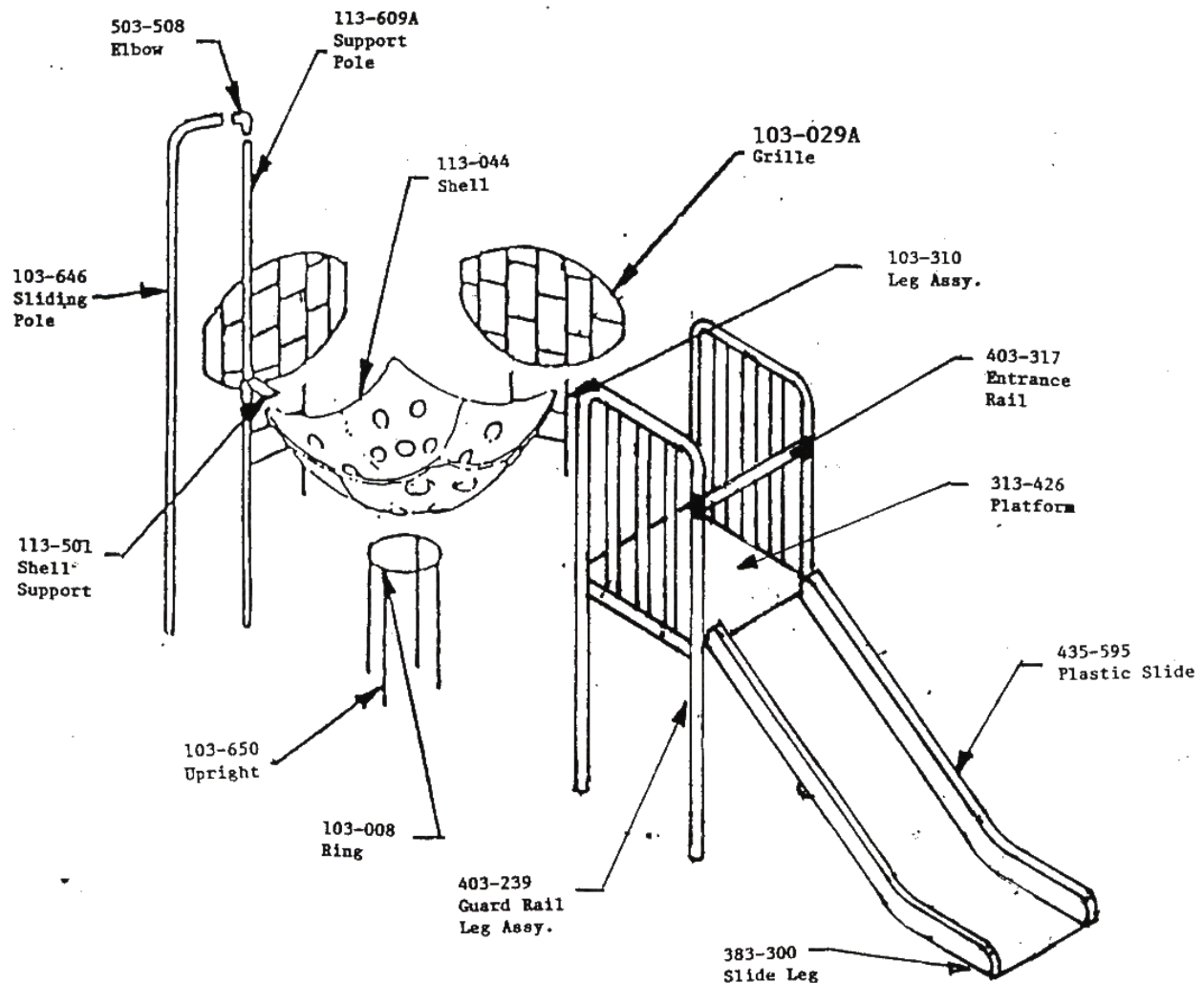
## GENERAL ASSEMBLY INSTRUCTIONS:

Check parts and hardware with the packing list to be sure you have received everything needed to assemble this product. CONTACT YOUR LOCAL DISTRIBUTOR WITH NOTIFICATION OF ANY MISSING OR DAMAGED PARTS. Contact must be made within ten days of receipt of your order. Only hand-tighten nuts & bolts on initial assembly. Final tightening should be done **EVENLY** after final assembly when unit has been plumbed and leveled. After assembly is complete, **ANY ENDS OF BOLTS PROTRUDING BEYOND NUTS SHOULD BE CUT OFF AND/OR PEENED OVER TO REMOVE ANY SHARP PROJECTIONS.** Go over entire unit to file smooth any sharp edges or projections that may have been caused by rough handling in shipping or installation. T-Clamps are designed for both one and two bolt connections. In many situations only one bolt is required. See specific assembly instructions. On products with platforms install 1 - 2 degrees off level to facilitate water drainage.

## GENERAL MAINTENANCE INSTRUCTIONS:

Check **MONTHLY** for loose bolts, damaged or broken parts. Tighten and/or replace immediately.

## SPECIFIC ASSEMBLY INSTRUCTIONS:



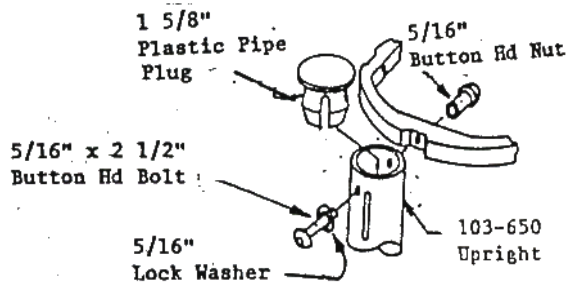
# 111-412 QUARTER DECK (w/ Plastic Slide)

5 Pages  
Rev 4/20/03

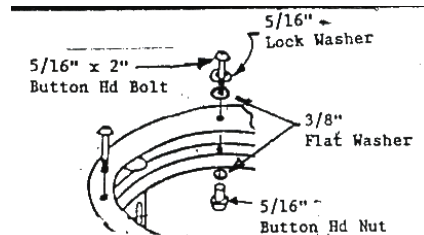
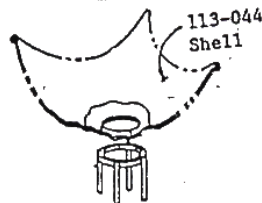
NOTES: Slides should be installed in shaded areas or face NORTH to prevent burns & glare problems caused by direct Sun on the Slide's Chute.

All threaded ends of bolts protruding behind nuts must be cut off and/or peened to eliminate sharp edges. No more than two threads should extend beyond face of nut. All washers, 'T' Nuts and other fastener hardware used on round pipe or tubing must be hammered down to conform to the curved underlying surface to eliminate catch points.

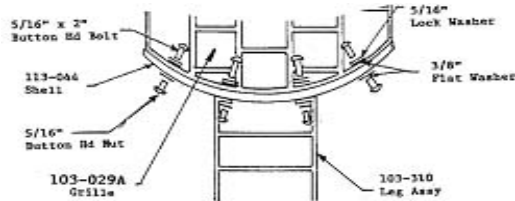
STEP #1: Mark & dig footing holes as per SKETCH on PAGE #2.  
STEP #2: Assemble bottom Ring Ladder. Cast Aluminum Rings have mold ejection marks on the BOTTOM side. Drive Plastic Pipe Plugs into top of Uprights. Position assembled Ladder in footing holes after attaching braces to hold proper height. Length of pipe legs below intended level of Resilient Surfacing should be 24". Two long braces holding 2 legs are recommended.



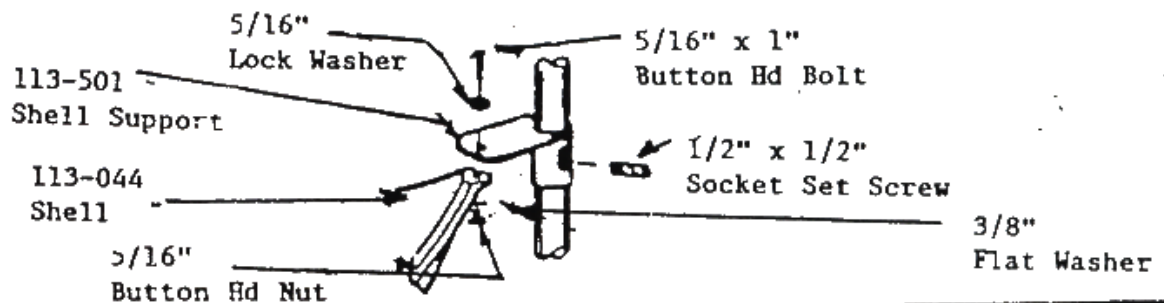
STEP #3: Attach Inverted Shell to bottom Ladder.



STEP #4: Attach two Grilles to Shell & Leg Assemblies as shown in SKETCH on PAGE #3.



STEP #5: Assemble Sliding Pole as per SKETCH on PAGE #3. Brace in footing holes & attach to Shell.



# 111-412 QUARTER DECK (w/ Plastic Slide)

5 Pages  
Rev 4/20/03

- STEP #6: Attach Slide Platform Guard Rails & Entrance Bar to Slide Platform on the ground.  
SEE VIEW A & D.
- STEP #7: Attach Platform to Shell. SEE VIEW C. Brace in footing holes.
- STEP #8: Attach Front Slide Leg to Slide. SEE VIEW E.
- STEP #9: Attach Slide to Platform. SEE VIEW B. Brace Slide in footing holes.
- STEP #10: Plumb and level entire unit. Tighten all nuts & bolts so that lock washers are flat. Pour concrete. Wait 48 hours before removing braces, installing Resilient Surfacing, & using equipment.
- STEP #11: Attach Warning Label and Manufacturer's Identification Label to a clean surface. The Labels should be attached in a location where they are clearly visible and legible and away from normal hand and foot placement areas. The Labels must be replaced if they become illegible, destroyed, or removed. Contact your distributor for replacement Labels.

