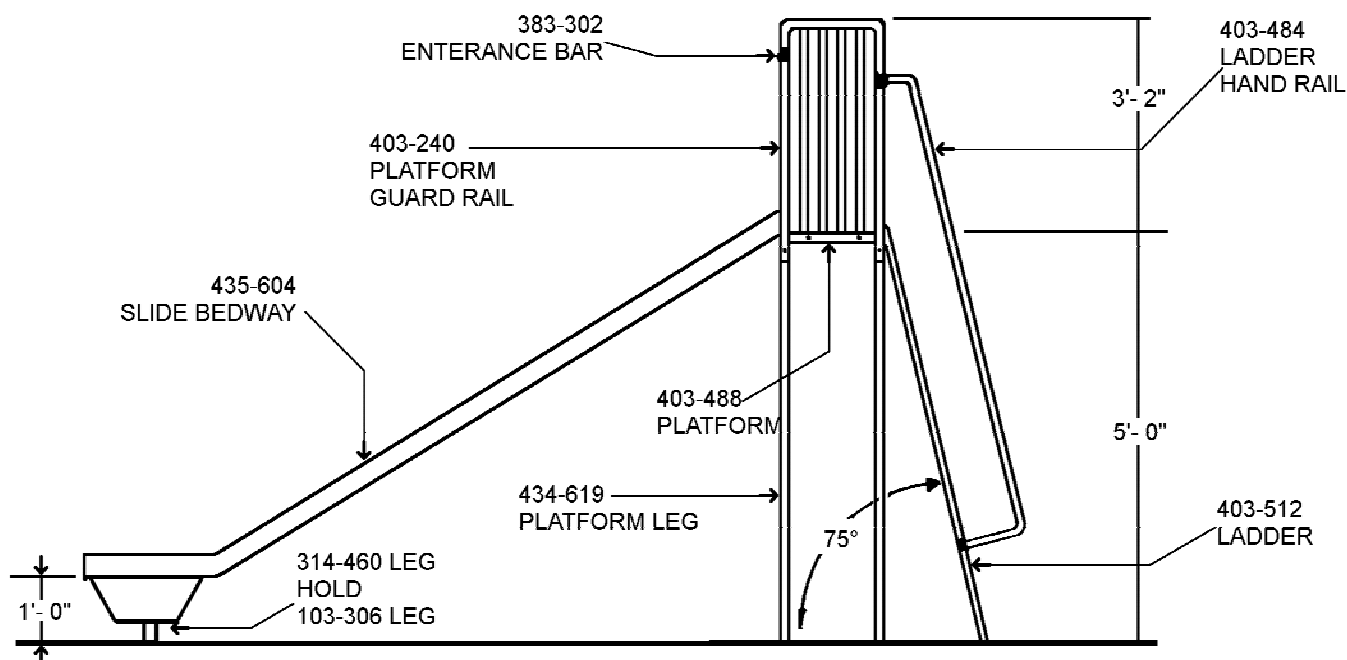


# 421-510 Super Slide to 5' Deck

## IMPORTANT

PLEASE READ THESE INSTRUCTIONS BEFORE COMMENCING ASSEMBLY. All equipment must be installed in accordance with these instructions. Check your shipment against Bill of Lading and Parts list. Any missing or broken parts must be reported to your distributor within 10 days of receipt of your order. When properly installed and maintained, equipment will give many years of Safe, Trouble-Free use. Periodically check for loose or broken parts. Loose bolts must be tightened and broken parts must be replaced as they can possibly create dangerous situations leading to unnecessary accidents. Resilient Surfacing should be used under all playground equipment. Appropriate publications, available at no charge, from the Consumer Product Safety Commission, include "A Handbook for Public Playground Safety". You can receive your free copy by calling 1-301-504-7908.



### PACKING LIST

1 CTN	- 1 Hardware Bag
	- 1 435-405 Attach Bracket
1 BDL	- 2 403-484 Ladder Hand Rail
1 BDL	- 1 383-302 Entrance Bar
	- 1 103-306 Leg
1 BDL	- 4 434-619 Platform Leg
1 WF	- 1 403-488 Platform
1 WF	- 1 403-512 Ladder
1 WF	- 1 314-460 Leg Holder
2 WF	- 1 403-240 Platform Guard Rail
1 SLIDE	- 1 435-604 Slide Bedway

### HARDWARE BAG

6 PR	- 415-513	1 3/8" T-Clamp
6	- 316-601	3/8" Flat Washer
16	- 116-530	5/16" x 1" Button HD Bolt
6	- 196-802	1/2" x 1/2" Socket Set Screw
6	- 116-604	3/8" x 1" Hex HD Bolt
6	- 326-601	3/8" Lock Washer
12	- 326-501	5/16" Lock Washer
8	- 316-501	5/16" Flat Washer
6	- 226-501	5/16" Lock Nut
14	- 216-512	5/16" Button HD Nut
1	- 416-400	3/8" Socket Key
2	- 416-350	3/16" Socket Key
3	- 126-504	5/16" x 1" Carr. Bolt
1	- 416-400	1/2" Socket Key
1	- 805-532	Warning Label
1	- 805-534	SportsPlay Label
1	-	Maintenance Checklist

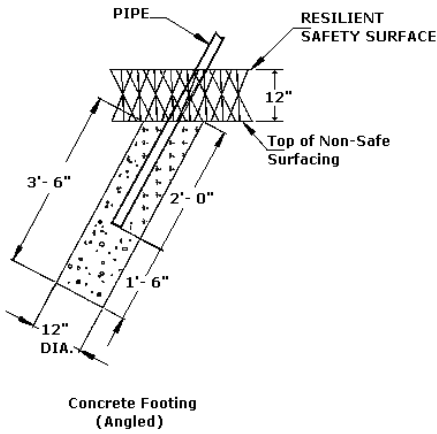
1 CTN	3 BDL	5 WF	1 SLIDE	10 TOTAL PCS	WT 230#	CLASS 70
-------	-------	------	---------	--------------	---------	----------

# 421-510 Super Slide to 5' Deck

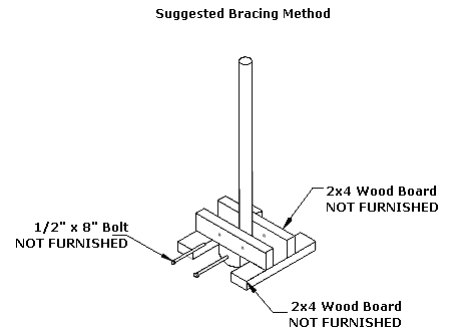
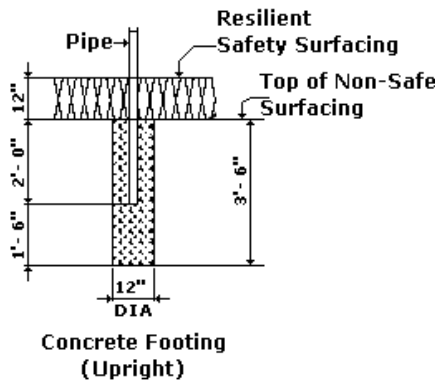
## GENERAL FOOTING RECOMMENDATIONS

Stationary & Portable Equipment - Use/Fall Zones should extend a minimum of 6 feet in all directions from the perimeter of the equipment ground space. This area should be covered with the required amount of Resilient Safety Surfacing Material. For Some Equipment - Use/Fall Zones can Overlap. See Consumer Product Safety Commission Guidelines. Diameter and depth of footings illustrated are satisfactory in most applications for pipe sizes up to 2 3/8" diameter. Varying soil & climatic conditions may require deeper and heavier footings in some areas. Check local building codes.

Detail: Permanent Installation

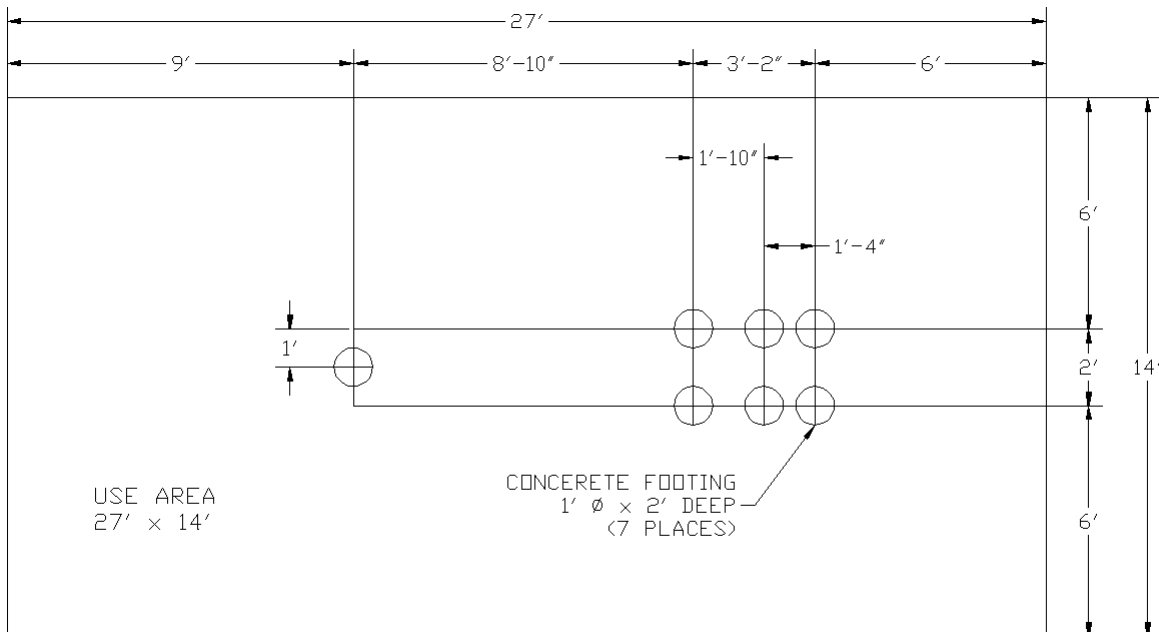


Detail: Suggested Bracing Method



\* If resilient surfacing is to be less than 12", then additional pipe should be put in concrete to maintain proper finish grade for equipment.

## USE AREA & FOOTING LAYOUT



## 421-510 Super Slide to 5' Deck

Page 3  
Rev 08/07/08

### **GENERAL MAINTENANCE INSTRUCTIONS:**

Check MONTHLY for loose bolts, damaged or broken parts. Tighten and/or replace immediately.

### **GENERAL ASSEMBLY INSTRUCTIONS:**

Only hand tighten nuts & bolts on initial assembly. Final tightening should be done EVENLY after final assembly when unit has been plumbed & leveled. After assembly is complete, ANY ENDS OF BOLTS PROTRUDING BEYOND NUTS SHOULD BE CUT OFF AND/OR PEENED OVER TO REMOVE ANY SHARP EDGES. T-Clamps are designed for both one and two bolt connections. In many situations only one bolt is required. See specific assembly instructions. Go over entire unit to file smooth any sharp edges or projections that may have been caused by rough handling in shipping or installation. On products with platforms install 1 - 2 degrees off level to facilitate water drainage.

### **ASSEMBLY & INSTALLATION**

**NOTE:** Slide should be installed in shaded areas or face NORTH to prevent direct Sun on Slide's Chute.

**NOTE:** All threaded ends of bolts protruding beyond nuts must be cut off and/or peened to eliminate sharp edges. No more than two threads should extend beyond face of nut. All washers and other fastener hardware used on round pipe or tubing must be hammered down to conform to the curved underlying surface to eliminate catch points.

STEP #1: Mark & dig footing holes per diagram on PAGE #2.

STEP #2: Assemble entire slide lying unit on its side on the ground. Start by attaching Ladder to Platform. SEE VIEW A.

STEP #3: Attach Platform Guard Rail to Platform Legs. SEE VIEW B. Then attach Guard Rail Assy. To Platform. SEE VIEW C.

STEP #4: Attach Slide Bedway to Platform. SEE VIEW D.

STEP #5: Attach Leg Holder to Slide Bedway. SEE VIEW E. Then attach Slide Leg to Bedway. SEE VIEW F.

STEP #6: Attach Ladder Hand Rail to guard Rail & Ladder. SEE VIEW G.

STEP #7: Attach Entrance Bar to Guard Rails. SEE VIEW H.

STEP #8: Raise & brace unit in footing holes. Length of Legs below intended level of Resilient Surfacing should be 24"

STEP #9: Plumb & level. Tighten all nuts & bolts so that lock washers are flat. Pour Concrete. Wait 48 hours before removing braces, installing Resilient Surfacing & using equipment.

STEP #10: Attach Warning Label and Manufacturer's Identification Label to a clean surface. The Labels should be attached in a location where they are clearly visible and legible and away from normal hand and foot placement areas. The Labels must be replaced if they become illegible, destroyed or removed. Contact your distributor for replacement Labels.

