

561-506 Official Aluminum Soccer Goal (Permanent - Pair)

Page 1 of 1
Rev 09/15/2005

*** IMPORTANT ***

PLEASE RETAIN THIS INSTRUCTION SHEET IN YOUR FILES. IT CONTAINS IMPORTANT REPLACEMENT PARTS INFORMATION. ALL EQUIPMENT SHOULD BE INSTALLED IN ACCORDANCE WITH THESE INSTRUCTIONS.

IT IS IMPORTANT TO USE AND MAINTAIN ALL PUBLIC PLAYGROUND EQUIPMENT PROPERLY. PLAYGROUND EQUIPMENT, WHICH IS IMPROPERLY MAINTAINED, CAN CAUSE SERIOUS INJURY. PERIODICAL INSPECTIONS, MAINTENANCE, REPAIR AND/OR REPLACEMENT OF DAMAGED PARTS IS NECESSARY FOR SAFE OPERATION OF EQUIPMENT AND SAFETY OF USERS. RESILIENT SURFACING SHOULD BE USED UNDER ALL PLAYGROUND EQUIPMENT. APPROPRIATE PUBLICATIONS, AVAILABLE AT NO CHARGE, FROM THE CONSUMER PRODUCT SAFETY COMMISSION, INCLUDE "A HANDBOOK FOR PUBLIC PLAYGROUND SAFETY." YOU CAN RECEIVE YOUR FREE COPY BY CALLING 1-301-504-7908.



PACKING LIST

1 CTN		Hardware Bag
1 CTN	2 503-509L	Left Upper Corner*
	2 503-509R	Right Upper Corner*
	8 503-510	Inner Sleeve
1 POST	2 503-506	Top Rail
1 POST	4 803-511	Upright
1 POST	4 563-602	Net Support - soccer

HARDWARE BAG

16	116-601	½" x 2 ¾" Button Head Bolt
8	116-625	3/8" x 1 ½" Hex Tap Bolt
8	316-601	3/8" Flat Washer
16	316-801	½" Flat Washer
1	416-500	5/16" Socket Key
72	905-523	½" Plastic Clamp
72	905-524	Self Tapping Screw
1	905-525	¼" Magnetic Nut Driver

*Left and Right are designated from behind the goal looking out, NOT looking in.

1 SKID 2' x 26' 416 Cu. Ft. WT 546# CLASS 70
--

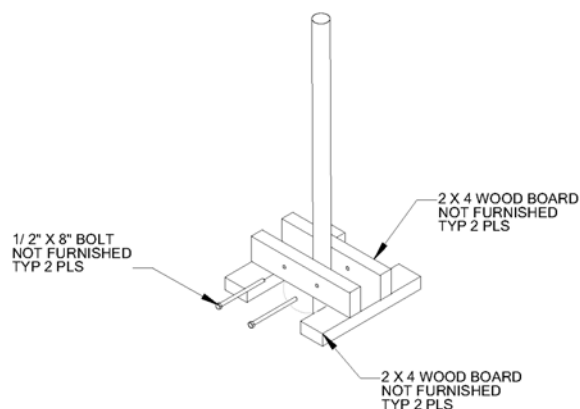
561-506 Official Aluminum Soccer Goal (Permanent - Pair)

Page 2 of 2
Rev 09/15/2005

NOTE: All threaded ends of bolts protruding beyond nuts must be cut off and/or peened to eliminate sharp edges. No more than two threads should extend beyond face of nut. All washers, "T" nuts, and other fastener hardware used on round pipe or tubing must be hammered down to conform to the curved underlying surface to eliminate catch points. DO NOT tighten nuts more than hand-tight until entire assembly is completed.

- STEP #1: Lay top rail on the ground - nut side up.
- STEP #2: Insert right upper corner and left upper corner into ends of top rail. Attach with $\frac{1}{2}$ " x $2 \frac{3}{4}$ " Button Head Bolt, $\frac{1}{2}$ " washer. Even up the edges and tighten corners.
- STEP #3: Insert uprights onto corner brackets nut side up and attach with $\frac{1}{2}$ " x $2 \frac{3}{4}$ " Button Head Bolts and $\frac{1}{2}$ " washers.
- STEP #4: Sleeve the upper and lower supports together and attach with $\frac{5}{16}$ " x 1" Button Head Nut and $\frac{5}{16}$ " x $1 \frac{3}{4}$ " Button Head Bolt.
- STEP #5: Attach supports to soccer frame using $\frac{3}{8}$ " x $1 \frac{1}{2}$ " Tap Bolts and $\frac{3}{8}$ " washers on top and bottom of each side of the goal.
- STEP #6: Drill $\frac{1}{8}$ " diameter holes in desired locations around the rear side of the frame for net clamps and self-tapping screws. Recommended installation is 1' on center apart.
- STEP #7: Attach the net to frame by threading net into $\frac{1}{2}$ " plastic clamps and attaching clamps to frame with #8 x 1" self tapping screws and $\frac{1}{4}$ " nut driver provided
- STEP #8: Stand goal up, put into position and mark holes. Dig holes 2' deep 12" in diameter. Stand goal up in holes, block to maintain desired height. Pour cement, doming top for drainage and leaving 4" of space for backfill. Brace and let cement cure 48 hours before use.

SUGGESTED BRACING METHOD



MAINTENANCE INSTRUCTIONS:

Check periodically for loose bolts, broken parts and replace immediately.