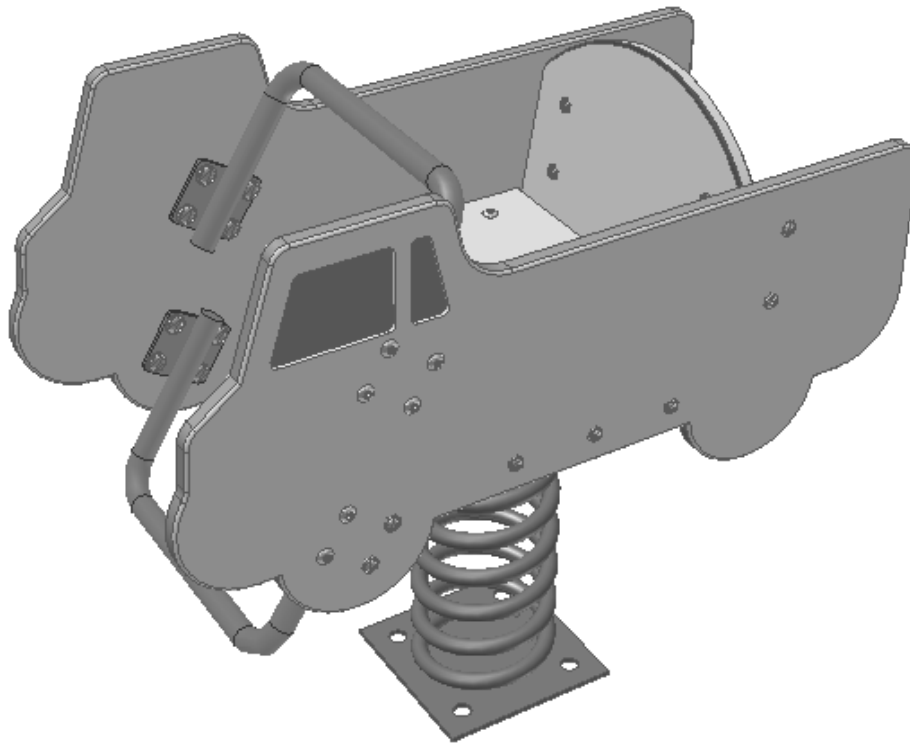


Childforms®
SINGLE SEAT FUN RIDER™
Assembly Instructions

I-SSSRINST



NOTE- Fun Rider Style may vary from illustrations.

- Please read and follow all **Safety Information**.
- Please review assembly and component **Diagrams**.
- Verify **component & hardware** quantities received.
- Familiarize yourself with the **installation procedures**.

Safety

- Please follow assembly procedure in the correct order.
- Play site ground material should only be of an approved, shock-absorbing type and meet minimum depth requirements. **NEVER** install playground equipment over paved or hard surfaces.
- Please be sure that all fasteners are used in the proper location.
- Be sure that minimum fall zone requirements are met.
- Do not allow children to play on or near equipment which is in need or repair or replacement, is incomplete or is otherwise considered unsafe.

1) **Parts Inventory and Set-Up**

Confirm that all components, hardware and special tools are included (see *Parts List*).
Gather any addition tools necessary for installation (hex driver, level, tape measure, etc)
Please follow diagrams and instructions in order.

2) **Site location and Preparation**

Be sure site is of adequate size- allow for minimum fall zones (see *Layout Diagram*).
Be sure site is graded, level and free of debris for proper set-up and assembly.
Measure and mark site to determine structure location and orientation.

3) **Assembly- General**




Please use correct type and length fasteners as described in the installation procedure.
Before setting Fun Rider in place, verify all hardware has been tightened.
Be sure to follow the order of assembly to ease the construction procedure.

4) **Installation Procedure**










After measurement and layout of site, carefully measure for spring anchor location.
Assemble Fun Rider as per instructions before setting into the ground.
After spring anchor has been set, do not use Fun Rider for (3) days min.

PARTS LIST




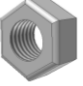
Steel Frame Components:

Item	Qty.	Description	Drawing	Part Number
SA	(2)	Hand/ Foot Bar		00-171-28010
SB	(1)	Spring Mount		00-171-28020
SC	(1)	Spring Assembly		00-171-28002

Hardware Components:

Item	Qty.	Description	Drawing	Part Number
HA	(22)	5/16" x 1" SS Torx Bolt		100-5161
HB	(30)	5/16" Stainless Tee Nut		100-516TNSS
HC	(4)	3/8" x 1" lg. SS Torx Bolt		100-381
HD	(4)	3/8" Washer		100-38FWSS
HE	(4)	3/8" Stainless Nylon Lock Nut		100-38NLNSS
HF	(4)	Stainless "L" Bracket		100-LBRKTSS
HG	(4)	5/16" X 1-1/4" Stainless Bolt		100-516114
HH	(4)	5/16" Stainless Nylon Lock Nut		100-516NLNSS
HI	(8)	5/16" X 3/4" SS Torx Bolt		100-51634

HARDWARE INCLUDED IN 0-SPRANCHORKIT:

HJ	(4)	1/2" Anchor Bolt		100-12ABG
HK	(4)	1/2" Flat Washer		100-12FWG
HL	(4)	1/2" Lock Washer		100-12LWG
HM	(4)	1/2" Hex Nut		100-12HNG

Tools:

Item	Qty.	Description	Drawing	Part Number
-------------	-------------	--------------------	----------------	--------------------

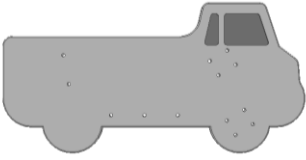
TA	(1)	Tee Nut Tool		100-TNUTW
----	-----	--------------	--	-----------

TB	(1)	Torx T-40 Driver Bit		100-00T40
----	-----	----------------------	---	-----------


TC	(1)	Torx T-45 Driver Bit		100-00T45
----	-----	----------------------	---	-----------

Plastic Components:

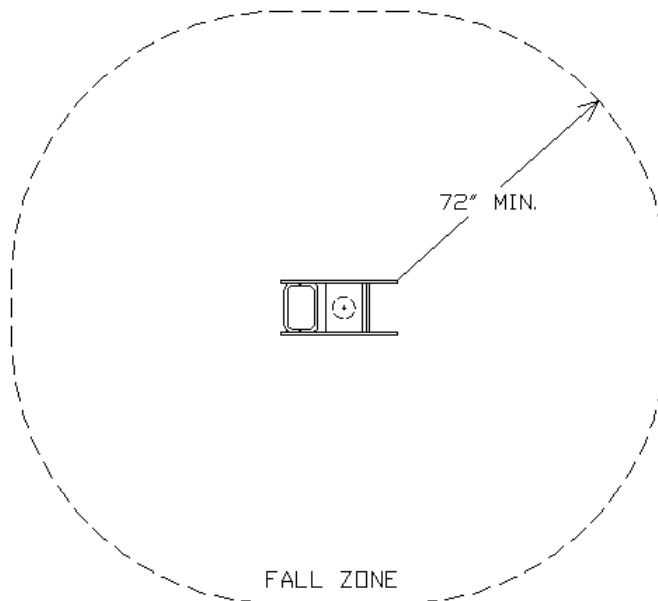
Item	Qty.	Description	Drawing	Part Number
-------------	-------------	--------------------	----------------	--------------------

PA	(2)	(1 LH, 1 RH) Side Panel <i>*NOTE- Side Panel Style may vary</i>		00-171-3x001 (RH) 00-171-3x002 (LH)
----	-----	--	--	--

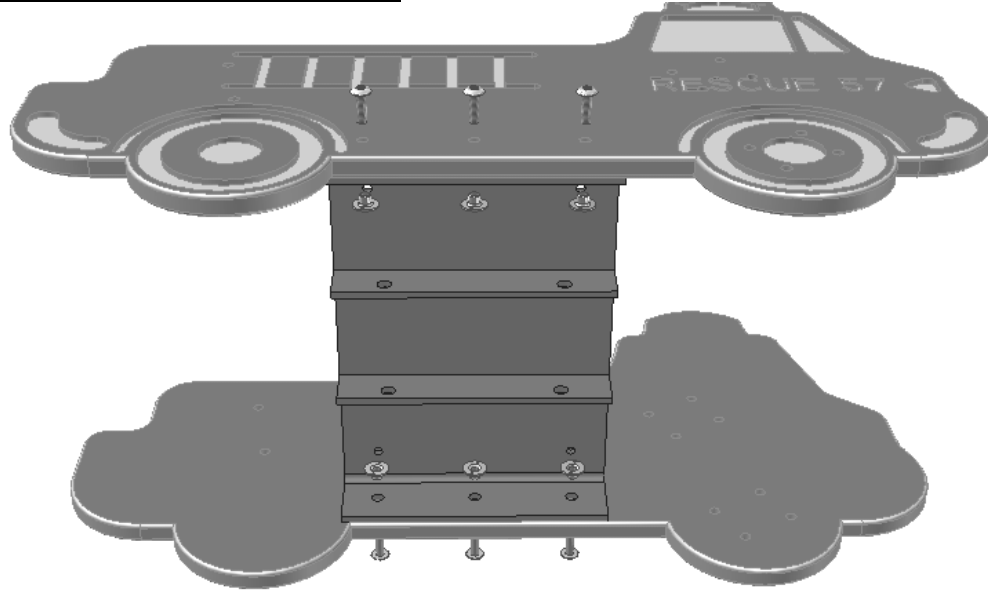
PB	(1)	Seat Back		00-171-3x003
----	-----	-----------	--	--------------

PC	(1)	Seat Bottom		00-171-3x004
----	-----	-------------	--	--------------

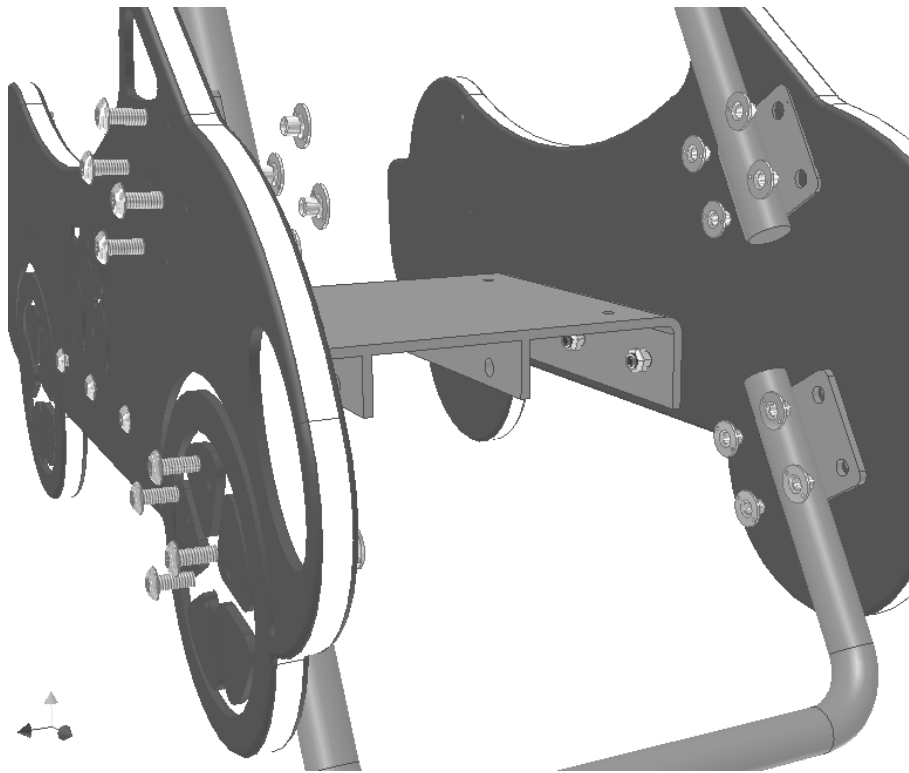
LAYOUT DIAGRAM:



INSTALLATION PROCEDURE:

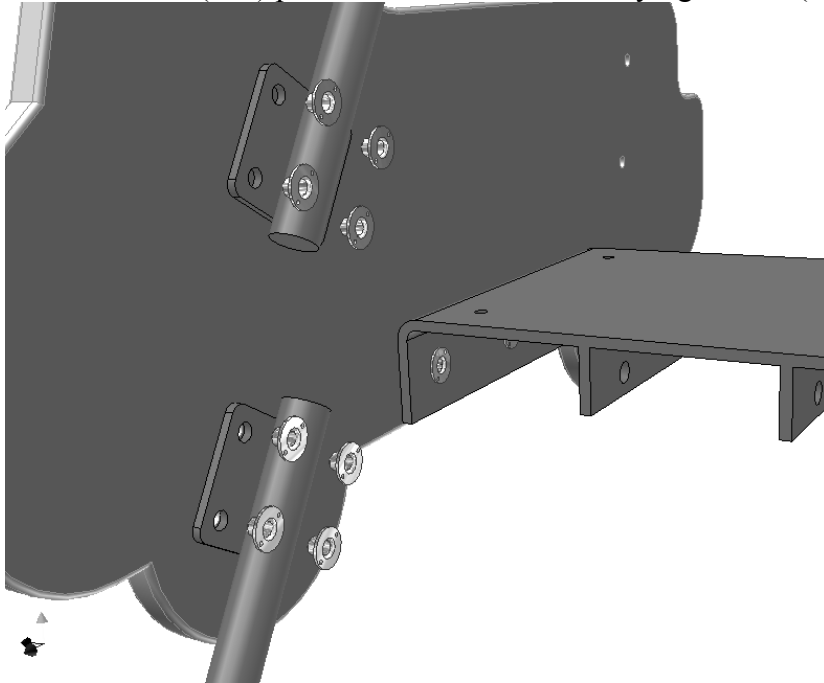


Step 1 Beginning with (2) Side Panels (**PA**) and Spring Mount (**SB**), assemble as shown using (3) Tee Nuts (**HB**) and (3) 1" Torx Bolts (**HA**) per side, securely tighten bolts.



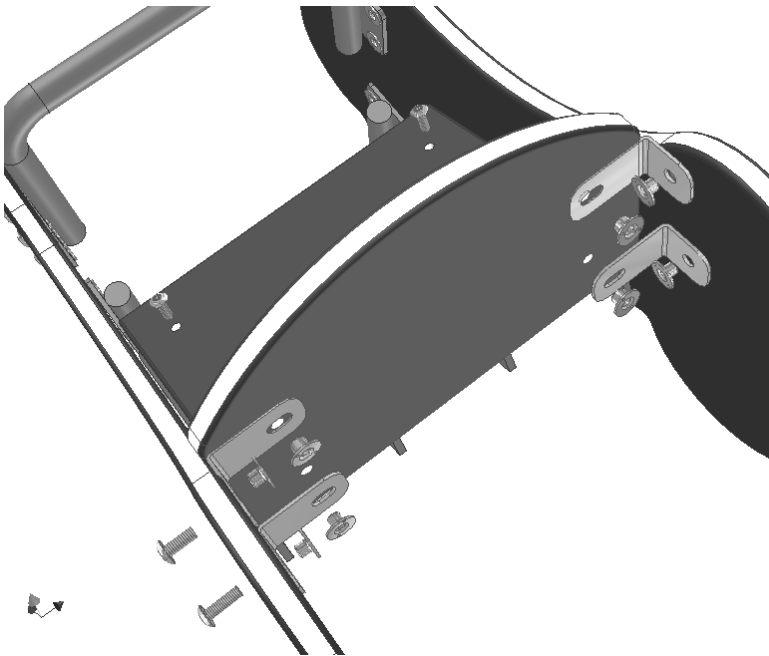
Step 2

- 2) Next, mount (2) Hand/ Foot Bars (**SA**) as shown, using (8) Tee Nuts (**HB**) and (8) Torx Bolts (**HA**) per Hand/ Foot Bar. Securely tighten all (16) bolts.



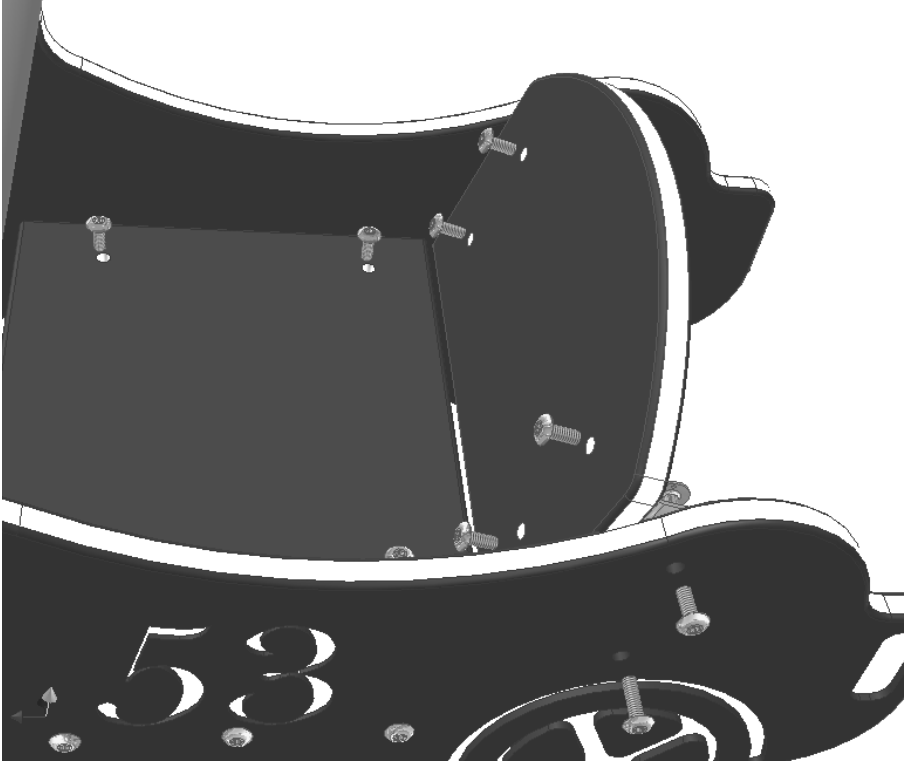
Step 2- (Inside view)

- 3) Mount (2) Stainless “L” Brackets (**HF**) to the inside of each Side Panel, using (1) Torx Bolt (**HI**) and Tee Nut (**HB**) per Bracket as shown- loosely snug bolts.



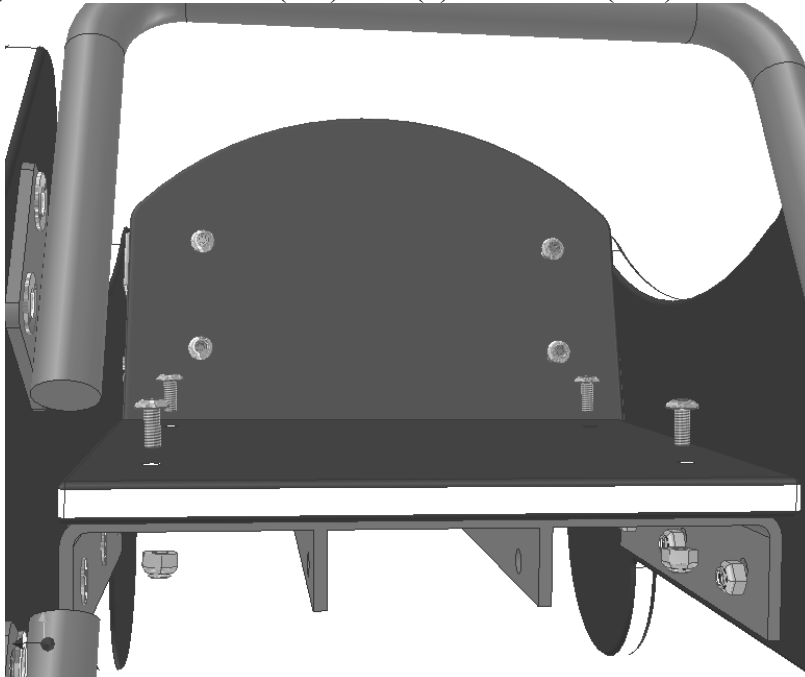
Step 3 detail

Add Seat Back Panel (**PB**) by bolting through Stainless “L” Brackets as shown using (4) Torx Bolts (**HI**) and (4) Tee Nuts (**HB**). Securely tighten all hardware at this point.

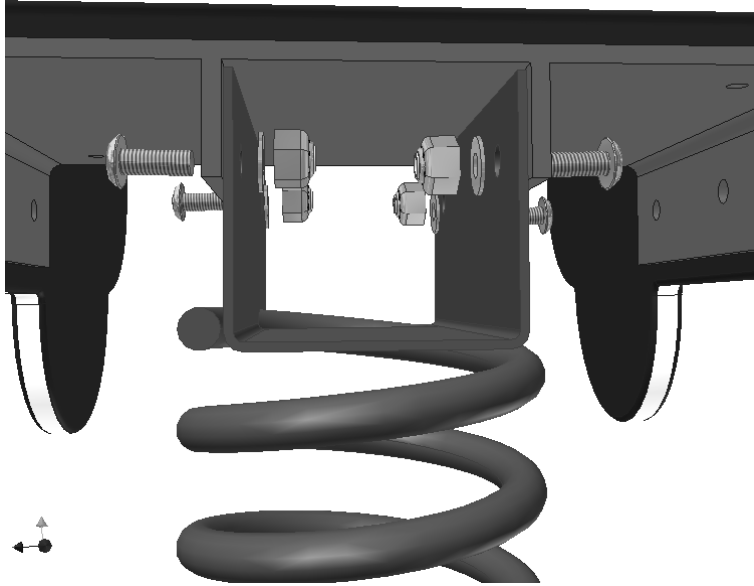


Step 3- Adding Seat Back Panel.

4) Mount Seat Bottom (**PC**) with (4) Torx Bolts (**HG**) and Lock Nuts (**HH**) as shown.

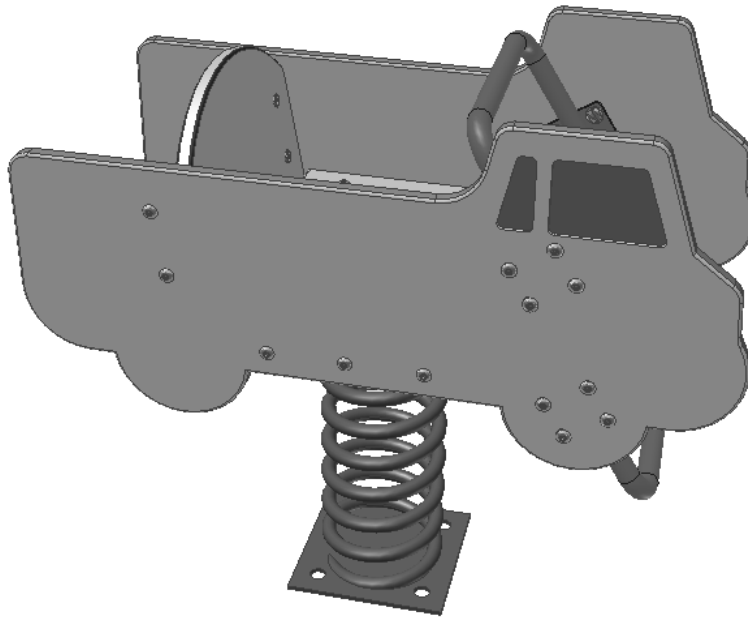


Step 4- Seat Bottom mounting



Step 5- Mount Spring to completed assembly.

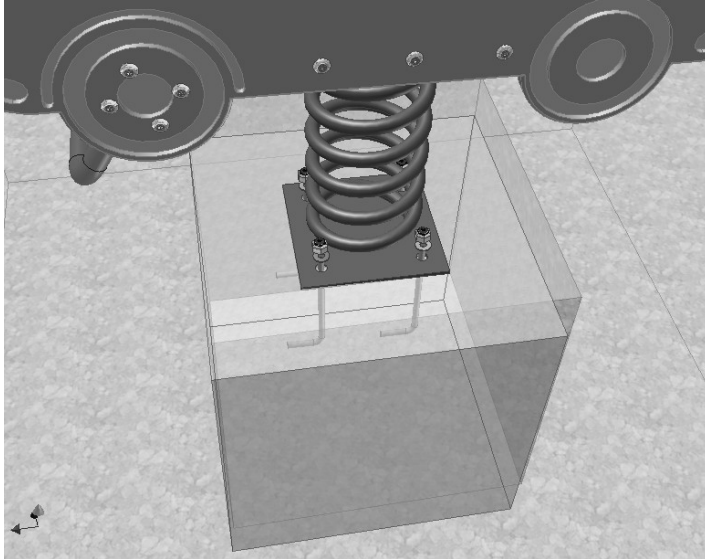
- 4) Finally, fasten Spring Assembly (SC) to completed Fun Rider using (4) 3/8" x 1" long Torx Bolts (HC), (4) Washers (HD) and (4) Lock Nuts (HE) as shown. Securely tighten all bolts.



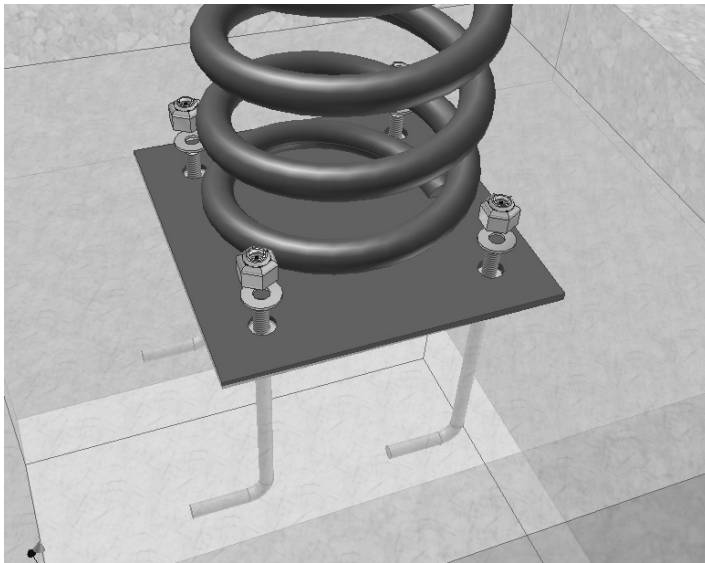
- 5) After a proper site has been chosen and prepared, dig a hole approx. 18" square and 18" deep. Mix and pour concrete. Note: do not fill to top, leave at least 4" below ground level to later cover with dirt. **Loosely** assemble all anchor hardware; (4) 1/2" Anchor Bolts (HJ), (4) Flat Washers (HK), (4) Lock Washers (HL) and (4) Hex Nuts (HM) (All included in hardware kit 0-SPRANCHORKIT) through bottom plate on Spring Rider. Carefully lower assembly into concrete, securely prop Spring Rider with wooden braces or similar temporary structure until concrete has cured. After

concrete has set, securely tighten anchor bolts and cover top of concrete with dirt-tamp until level with ground.

Do not allow play for (3) days minimum, until concrete has fully set.



Footer Detail



"J" Bolt Hardware

Rev	Date	Init.	Remarks
A	03/13/06	BTM	Initiated
B	08/25/06	BTM	Added anchor bolt h/w kit and info.