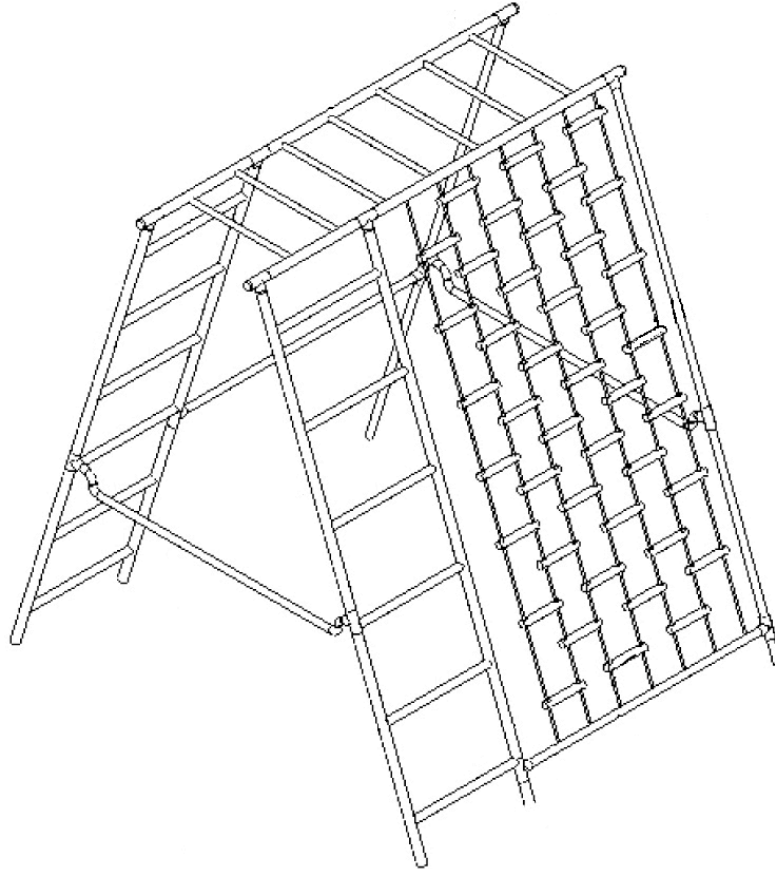


302-135 NET CLIMBER (Port)

*** IMPORTANT ***

PLEASE RETAIN THIS INSTRUCTION SHEET IN YOUR FILES. IT CONTAINS IMPORTANT REPLACEMENT PARTS INFORMATION. ALL EQUIPMENT SHOULD BE INSTALLED IN ACCORDANCE WITH THESE INSTRUCTIONS. IT IS IMPORTANT TO USE AND MAINTAIN ALL PUBLIC PLAYGROUND EQUIPMENT PROPERLY. PLAYGROUND EQUIPMENT, WHICH IS IMPROPERLY MAINTAINED, CAN CAUSE SERIOUS INJURY. PERIODICAL INSPECTIONS, MAINTENANCE, REPAIR AND/OR REPLACEMENT OF DAMAGED PARTS IS NECESSARY FOR SAFE OPERATION OF EQUIPMENT AND SAFETY OF USERS. **RESILIENT SURFACING SHOULD BE USED UNDER ALL PLAYGROUND EQUIPMENT. APPROPRIATE PUBLICATIONS, AVAILABLE AT NO CHARGE, FROM THE CONSUMER PRODUCT SAFETY COMMISSION, INCLUDE "A HANDBOOK FOR PUBLIC PLAYGROUND SAFETY."** YOU CAN RECEIVE YOUR FREE COPY BY CALLING 1-301-504-7908.



PACKING LIST

1 CTN	1	Hardware	Bag
1 CTN	1	303-136	Net
1 WF	1	303-305	Top Ladder Assy
1 BDL	2	303-281	End Brace
1 WF	1	303-306	Ladder Assy.
1 WF	1	303-329	Ladder Assy.
1 BDL	1	303-206	Center Cross Bar
	1	303-207	Bottom Net Rail
1 BDL	1	303-209	Upright
	1	303-140	Upright

HARDWARE BAG

10	-	105-015	1 5/8" Pipe Plug
14	PR	- 415-515	1 5/8" T-Clamp
38	-	116-535	5/16" x 1 1/2" Button Hd Bolt
38	-	326-501	5/16" Lock Washer
38	-	216-512	5/16" Button Hd Nut
2	-	416-350	3/16" Socket Key
1	-	805-532	Warning Label
1	-	805-534	SportsPlay Label
1			Maintenance Checklist

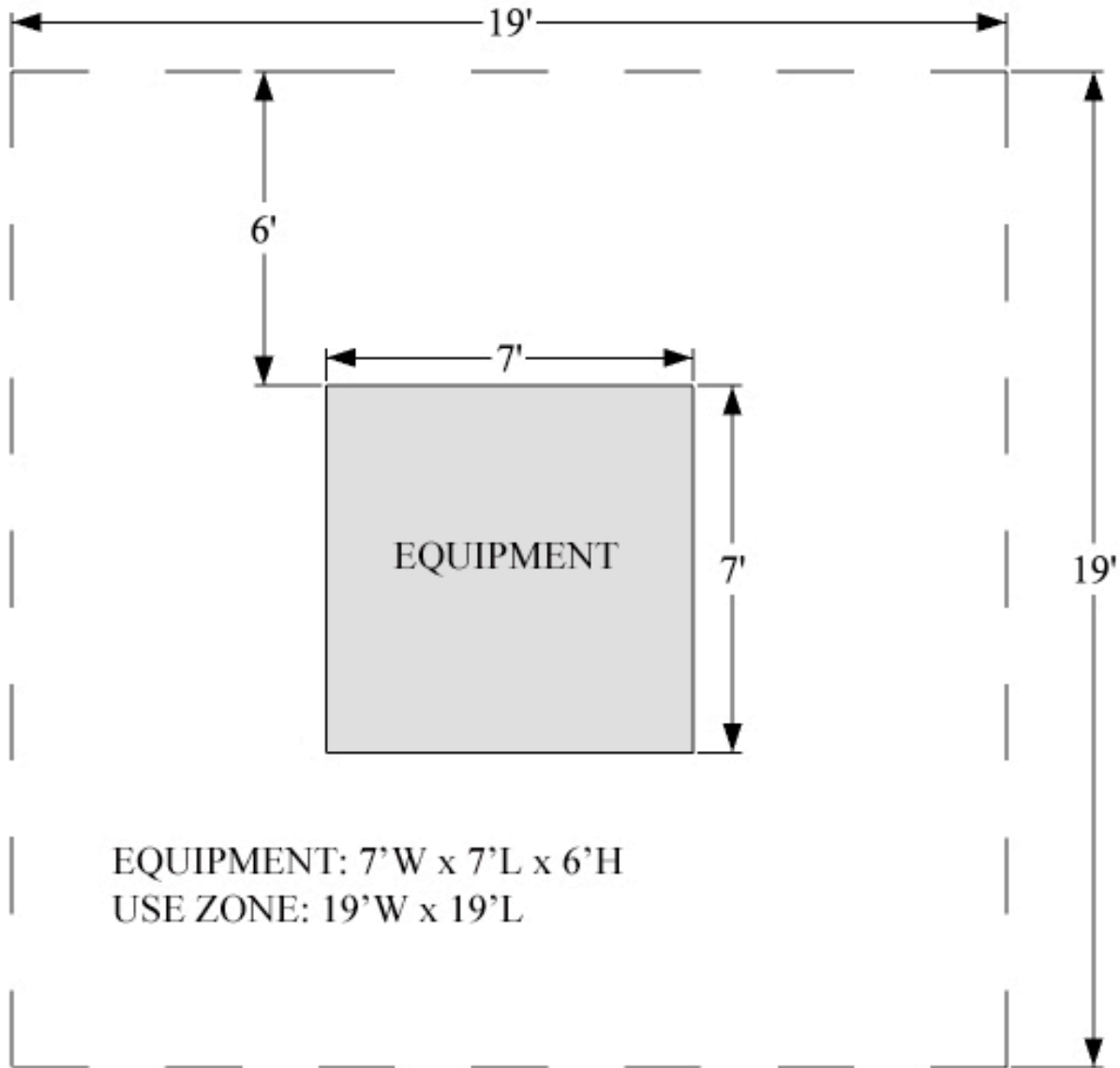
2 CTN 3 BDL 3 WF 8 TOTAL PCS WT 160# CLASS 70

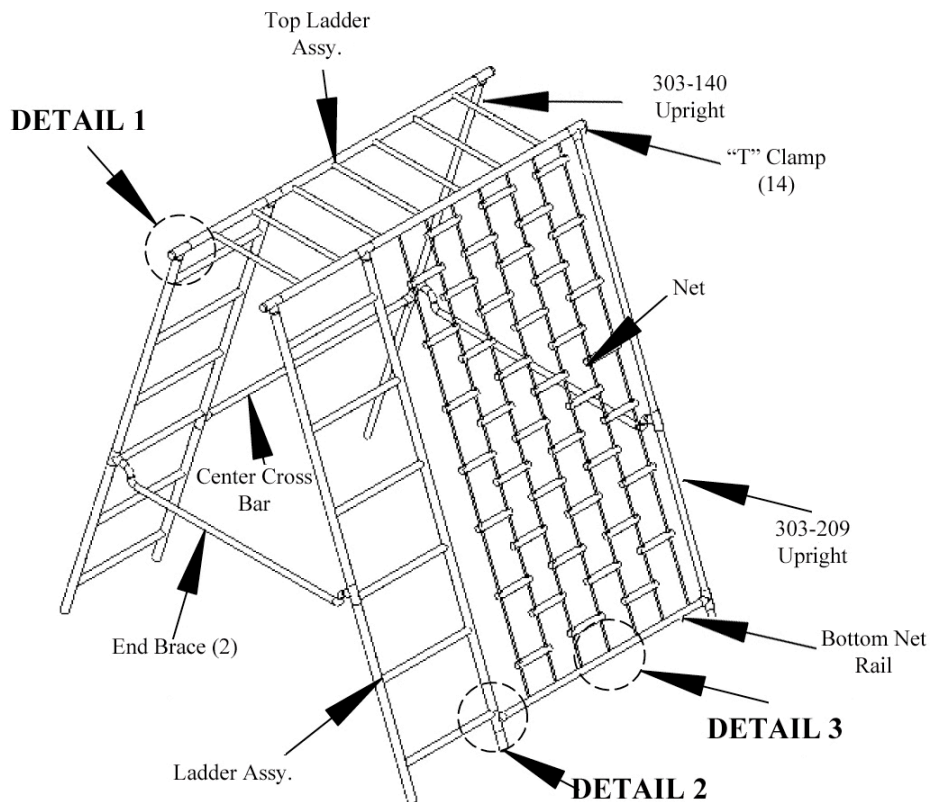
GENERAL USE/FALL ZONE

PERMANENT & PORTABLE EQUIPMENT - USE/FALL ZONES SHOULD EXTEND A MINIMUM OF 6 FEET IN ALL DIRECTIONS FROM THE PERIMETER OF THE EQUIPMENT GROUND SPACE. THIS AREA SHOULD BE COVERED WITH THE REQUIRED AMOUNT OF RESILIENT SAFETY SURFACING MATERIAL. FOR SOME EQUIPMENT - USE/FALL ZONES CAN OVERLAP. SEE CONSUMER PRODUCT SAFETY COMMISSION GUIDELINES.

DIAMETER & DEPTH OF FOOTINGS ILLUSTRATED ARE SATISFACTORY IN MOST APPLICATIONS FOR PIPE SIZES UP TO 2 3/8" DIAMETER. VARYING SOIL & CLIMATIC CONDITIONS MAY REQUIRE DEEPER & HEAVIER FOOTING IN SOME AREAS. CHECK LOCAL BUILDING CODES.

USE ZONE





GENERAL ASSEMBLY INSTRUCTIONS:

Check all the parts and hardware with the packing list to be sure you have received everything needed to assemble this product. CONTACT YOUR LOCAL DISTRIBUTOR WITH NOTIFICATION OF ANY MISSING OR DAMAGED PARTS. Contact must be made within ten days of receipt of your order. Only hand-tighten nuts & bolts on initial assembly. Final tightening should be done EVENLY after final assembly when unit has been plumbed and leveled. T-Clamps are designed for both one and two bolt connections. In many situations only one bolt is required. See specific assembly instructions. On products with platforms install 1 - 2 degrees off level to facilitate water drainage.

GENERAL MAINTENANCE INSTRUCTIONS:

Check MONTHLY for loose bolts, damaged or broken parts. Tighten and/or replace immediately.

SPECIFIC ASSEMBLY INSTRUCTIONS:

NOTE: All threaded ends of bolts protruding beyond nuts must be cut off and/or peened to eliminate sharp edges. No more than two threads should extend beyond face of nut. All washers, “T” nuts, and other fastener hardware used on round pipe or tubing must be hammered down to conform to the curved underlying surface to eliminate catch points.

STEP #1: Drive Pipe Plugs (105-015) into ends of (303-305) Top Ladder Assy., bottom legs of (303-307) Ladder Assy., and (303-328). Ladder Assy., and bottom of (303-210) and (303-144) Uprights. File off any metal shavings.

302-135 NET CLIMBER (Port)

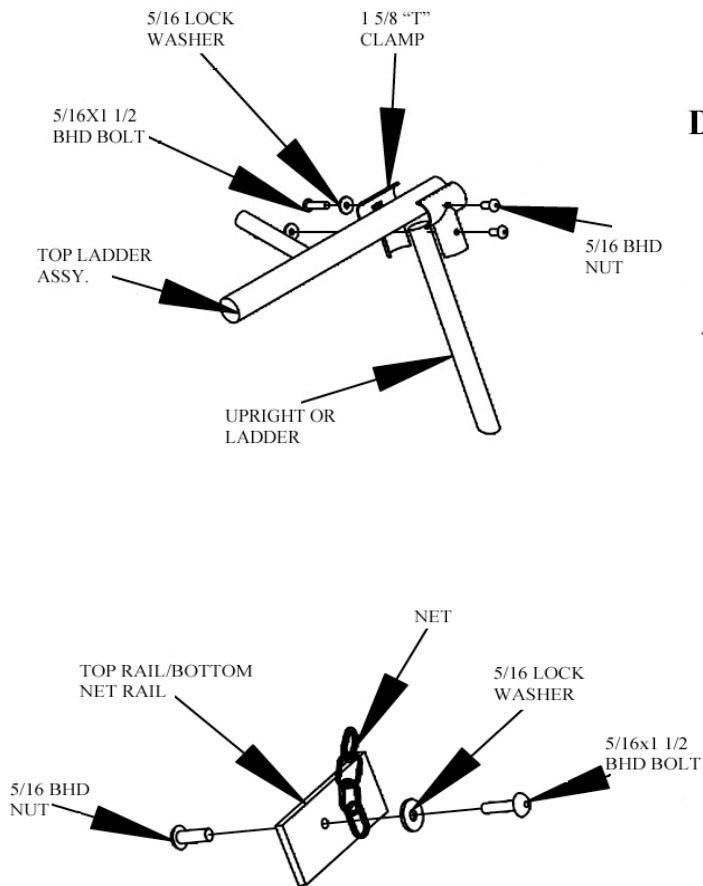
Page 4

Rev 4/14/10

302-135.I.CC.1109.3

- STEP #2: Assemble "upside-down". With top ladder on ground attach ladder assemblies & uprights. SEE DETAIL 1.
- STEP #3: Attach (303-281) End Braces, (303-206) Center Cross Bar, & (303-207) Bottom Net Rail. SEE DETAIL 2.
- STEP #4: Turn assembly over. Attach net on inside of top ladder and bottom net rail. SEE DETAIL 3. Bottom Net Rail (303-207) should be loosened for easy assembly. After net is attached stand on bottom net rail to stretch net tight, and then tighten end clamps to hold position.
- STEP #5: Attach Warning Label and Manufacturer's Identification Label to a clean surface. The Labels should be attached in a location where they are clearly visible and legible and away from normal hand and foot placement areas. The Labels must be replaced if they become illegible, destroyed, or removed. Contact your Distributor for replacement Labels.

DETAIL 1



DETAIL 3

DETAIL 2

