



TR32METRO

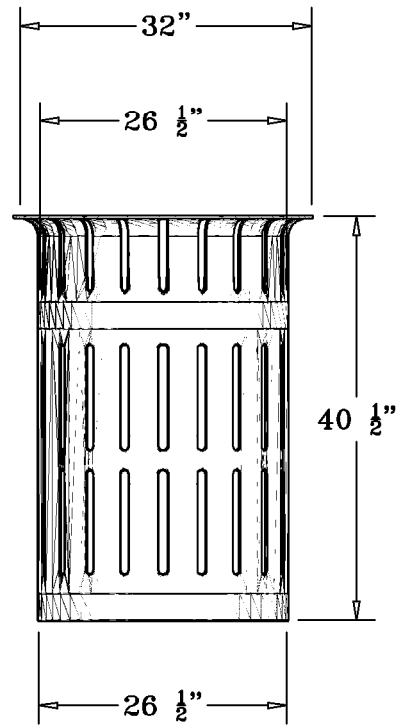
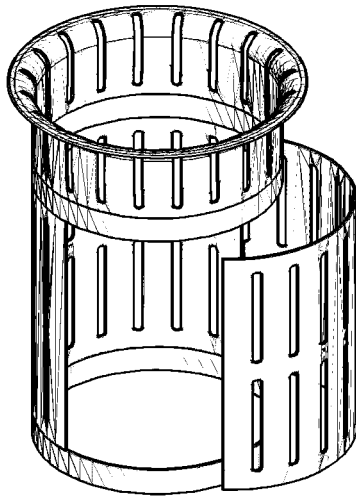
**32 GALLON FLARED RIBBED STEEL
TRASH RECEPTACLE
WITH FLATTOP AND HINGED DOOR**

WEBCOAT PRODUCTS
P.O. BOX 3160
McALESTER, OKLAHOMA 74501
1-800-505-5101
FAX: (918)426-5924
E-MAIL: WEBCOAT@WEBCOAT.COM

Please take the time to locate and identify each part. Assemble the units on a smooth flat surface. It is also helpful to lay the tops and seats on cardboard or a drop cloth to prevent scratching of the surface during assembly. All parts have been pre-cut and pre-drilled for ease of assembly. All holes are slotted to allow for easy assembly and for final levelling of tops and seats to frames. Fully assemble all parts without totally tightening nuts and bolts. After all assembled go back and retighten nuts to bolts. **DO NOT OVER TIGHTEN NUTS TO BOLTS.** Over tightened nuts can crack the plastisol coating. All the necessary quantities of parts required are listed in this assembly instructions.

DO NOT BEGIN ASSEMBLY UNTIL YOU HAVE READ THESE INSTRUCTIONS AND ARE FAMILIAR WITH THE PARTS.





SPECIFICATIONS

40 1/2" X 32" STEEL RIBBED TRASH RECEPTACLE WITH HINGED DOOR.
COATED WITH A 1/8" TO 1/4" THICK PLASTISOL ULTRAVIOLET STABILIZED VINYL COATING FUSED
AND BAKED TO A 90% GLOSS.

32 GALLON CAN SIZE (**NOT INCULDED**).

OPTIONAL RIGID PLASTIC LINERS ARE AVAILABLE AT ADDITIONAL CHARGE.
STANDARD FRAME IS PORTABLE DESIGN.
INGROUND MOUNT OR SURFACE MOUNT AVAILABLE AT ADDITIONAL COST.

ALL HARDWARE IS NON CORROSIVE.
WEIGHT FOR THE TR32METRO IS 115 LB.

MAINTENANCE

To maintain luster it is recommended to wash, rinse, and dry the units after prolonged use.
Check for loose bolts and nuts and tighten as needed. Contact the factory for genuine
Webcoat part replacements if needed.