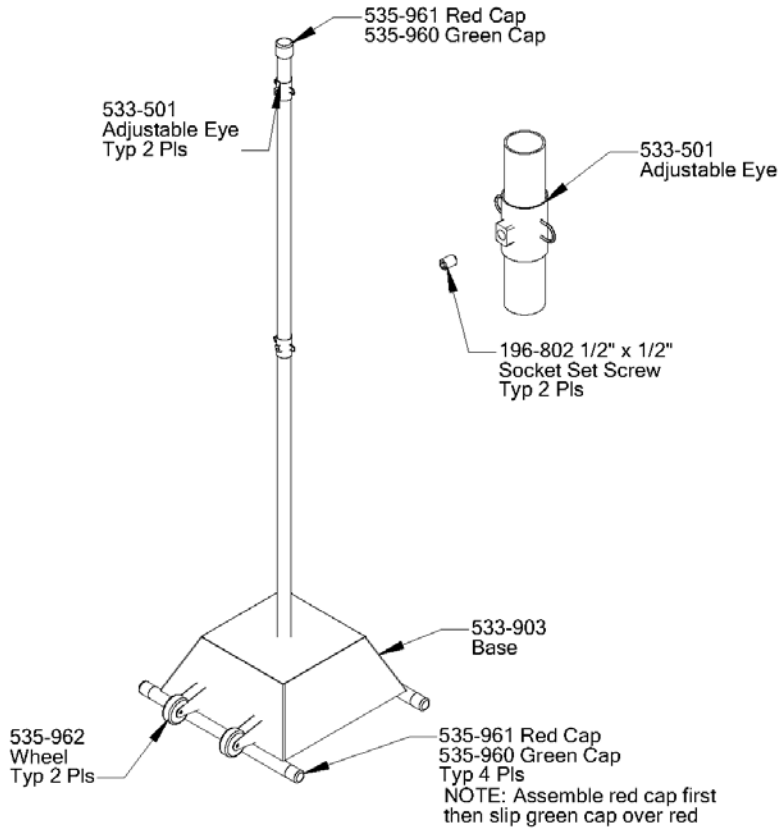


# 532-330 Portable Game Standard

Page 1  
Rev 08/23/2004

## IMPORTANT

Please retain this instruction sheet in your files. It contains important replacement parts information. All equipment should be installed in accordance with these instructions.



### PACKING LIST

1	CTN	1	Hardware Bag
		4	533-501 Adjustable Eye
2	BASE	1	533-903 Base Assembly

### HARDWARE BAG

4	196-802	½" x ½" Socket Set Screw
1	416-400	¼" Socket Key
10	535-960	Green Plastic Cap
10	535-961	2" Red Plastic Cap

1 CTN

2 BASE

3 TOTAL PCS

WT 300#

CLASS 70