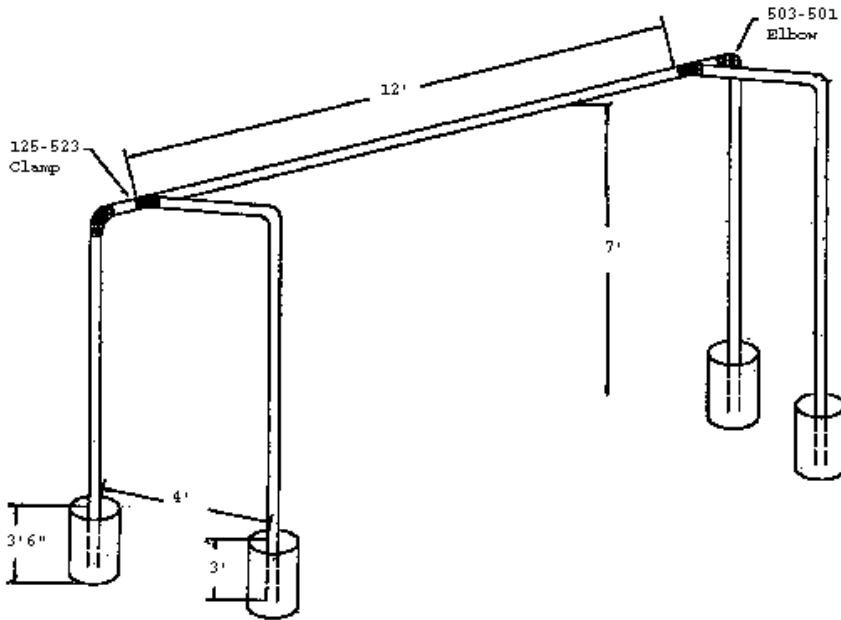


561-505 Junior Soccer Goal (Pair)

*** IMPORTANT ***

PLEASE RETAIN THIS INSTRUCTION SHEET IN YOUR FILES. IT CONTAINS IMPORTANT REPLACEMENT PARTS INFORMATION. ALL EQUIPMENT SHOULD BE INSTALLED IN ACCORDANCE WITH THESE INSTRUCTIONS.

IT IS IMPORTANT TO USE AND MAINTAIN ALL PUBLIC PLAYGROUND EQUIPMENT PROPERLY. PLAYGROUND EQUIPMENT, WHICH IS IMPROPERLY MAINTAINED, CAN CAUSE SERIOUS INJURY. PERIODICAL INSPECTIONS, MAINTENANCE, REPAIR AND/OR REPLACEMENT OF DAMAGED PARTS IS NECESSARY FOR SAFE OPERATION OF EQUIPMENT AND SAFETY OF USERS. RESILIENT SURFACING SHOULD BE USED UNDER ALL PLAYGROUND EQUIPMENT. APPROPRIATE PUBLICATIONS, AVAILABLE AT NO CHARGE, FROM THE CONSUMER PRODUCT SAFETY COMMISSION, INCLUDE "A HANDBOOK FOR PUBLIC PLAYGROUND SAFETY." YOU CAN RECEIVE YOUR FREE COPY BY CALLING 1-301-504-7908.



PACKING LIST

1 CTN		Hardware Bag
4 PIPE	1 563-604	Net Support Posts
4 PIPE	1 563-215	Goal Post
4 WF	1 563-314	Cross Frame
4 PIPE	1 596-614	Post Support

HARDWARE BAG

4	105-017	2 3/8" Pipe Plug
4 pr	425-517	1 7/8" T-Clamps
4	116-511	5/16" x 1 3/4" Hex Head Bolt
16	196-802	1/2" x 1/2" Socket Set Screw
6	116-604	3/8" x 1" Hex Head Bolt
6	226-601	3/8" Lock Nut
4	226-501	5/16" Lock Nut
1	416-400	1/4" Socket Key

1 CTN	4 PIPE	5 TOTAL PCS	WT 110#	CLASS 70
-------	--------	-------------	---------	----------

561-505 Junior Soccer Goal (Pair)

Page 2 of 2
Rev 04/04/03

NOTE: All threaded ends of bolts protruding beyond nuts must be cut off and/or peened to eliminate sharp edges. No more than two threads should extend beyond face of nut. All washers, "T" nuts, and other fastener hardware used on round pipe or tubing must be hammered down to conform to the curved underlying surface to eliminate catch points.

DO NOT tighten nuts more than hand-tight until entire assembly is completed.

- STEP #1: Assemble goals on the ground before digging footing holes
- STEP #2: Attach uprights to tip rail with elbows. Tighten in place with set screws
- STEP #3: Attach Net Support/Backstays with T-Clamps. Do not tighten T-Clamps.
- STEP #4: Stand goals upright. Tighten T-Clamps. Set in place. Mark footing hole positions. Move aside and dig footing holes.
- STEP #5: Position goal in footing holes. Use ships, braces, etc. to level and hold in place. Pour concrete. Crown footings 2-3" below playing surface. Let set 24-48 hours before use.
- STEP #6: Attach net. Full size regulation net doubled over can be tied to posts using string or plastic ties.

MAINTENANCE INSTRUCTIONS:

Check periodically for loose bolts, broken parts and replace immediately.